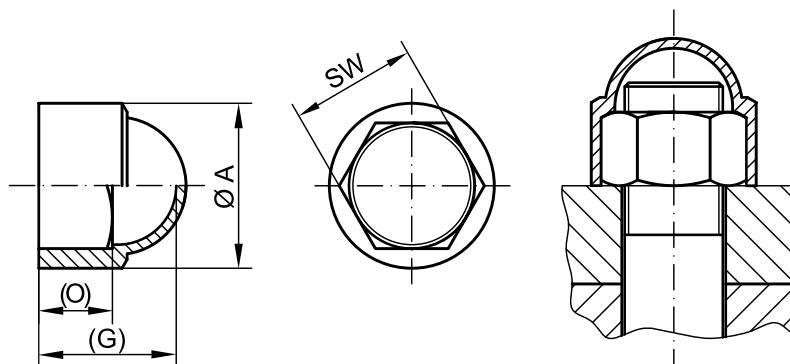


HEXAGONAL CAPS

GPN 1000

Free test samples:

+49 4442 982-9100
poeppele.com/en/gpn1000

Standard colour: Black

Material: PE-LD

**More robust.**

Thick-walled design for higher demands.

**Better.**Protection for bolts and nuts.
Optimum corrosion protection.
The cylindrical outside contour prevents the use of an open-end wrench.

Dimensions

Suitable for hexagon nuts

item	Dimensions			Wrench width, metric	Metric threads				Pipe thread	Order no.	
	A	(G)	(O)								
GPN 1000 / 1916	9	7.5	3.5	7	M 4					100 1916 0000	
GPN 1000 / 1068	10.9	8.5	5	8	M 5					100 1068 0000	
GPN 1000 / 1069	12.9	12	6	10	M 6					100 1069 0000	
GPN 1000 / 0893	16.8	14	7.5	13	M 8	M 8 × 1				100 0893 0000	
GPN 1000 / 1071	18	14	7.5	14						100 1071 0000	
GPN 1000 / 8267	21.3	18	9	16	M 10					100 8267 0000	
GPN 1000 / 1072	21.3	18.5	9	17	M 10	M 10 × 1				100 1072 0000	
GPN 1000 / 0857	23	19.4	11	18	M 12					100 0857 0000	
GPN 1000 / 1073	23.6	20	11	19	M 12	M 12 × 1.5				100 1073 0000	
GPN 1000 / 0190	26	22.5	12	21	M 14	M 14 × 1.5				100 0190 0000	
GPN 1000 / 1074	27.5	22.5	12	22	M 14	M 14 × 1.5		1/4		100 1074 0000	
GPN 1000 / 1075	29.8	25.5	14	24	M 16	M 16 × 1.5				100 1075 0000	
GPN 1000 / 1076	34	29	16	27	M 18	M 18 × 1.5	M 18 × 2		3/8	100 1076 0000	
GPN 1000 / 1077	37.4	31	17	30	M 20	M 20 × 1.5	M 20 × 2			100 1077 0000	
GPN 1000 / 1078	39.7	34	19	32	M 22	M 22 × 1.5	M 22 × 2		1/2	100 1078 0000	
GPN 1000 / 1079	44.4	38	20	36	M 24	M 24 × 1.5	M 24 × 2		5/8	100 1079 0000	
GPN 1000 / 1080	50.1	44	23	41	M 27	M 26 × 1.5	M 27 × 1.5	M 27 × 2	M 28 × 1.5	3/4	100 1080 0000
GPN 1000 / 1081	55.9	49	25	46	M 30	M 30 × 1.5	M 30 × 2		7/8	100 1081 0000	
GPN 1000 / 1414	60.5	53	27	50		M 33 × 1.5	M 33 × 1.5	M 33 × 2		100 1414 0000	
GPN 1000 / 1811	67	55.5	30	55	M 36	M 35 × 1.5	M 36 × 1.5	M 36 × 3		100 1811 0000	
GPN 1000 / 3762	72	60	38	60	M 39	M 38 × 1.5	M 39 × 1.5	M 39 × 3	M 40 × 1.5	100 3762 0000	
GPN 1000 / 3763	76.6	63	42	65	M 42	M 42 × 1.5	M 42 × 3			100 3763 0000	
GPN 1000 / 6706	85.5	73	38	70	M 45					100 6706 0000	
GPN 1000 / 8638	91.6	78.5	41	75						100 8638 0000	
GPN 1000 / 8639	98	83.4	43.5	80					1 1/2	100 8639 0000	
GPN 1000 / 8641	116.7	102	55	95					1 3/4	100 8641 0000	
									2 1/4		

Size in mm

For information regarding materials, colours, drawings and the use of our items, please refer to pages 124/125.

You might also be interested in the following products: GPN 1010, GPN 1050



PÖPPELMANN

KAPSTO®