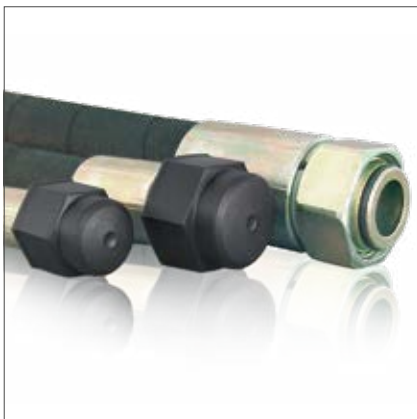
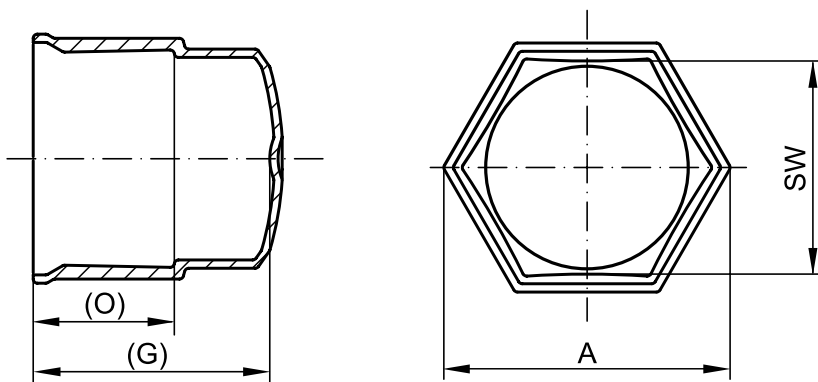


HEXAGONAL CAPS

GPN 1050

Free test samples:
+49 4442 982-9100
poeppelmann.com/en/gpn1050



Standard colour: Black
Material: PE-LLD



Better.

For hose ends with union nut and hexagonal nut. These products provide effective protection against contamination, damage, corrosion and injuries.

item	Dimensions			Suitable for external	
	A	(G)	(O)	Spanne width (width across flat)	Order no.
GPN 1050 SW 14	19.6	26.3	14.5	14	105 0014 0000
GPN 1050 SW 17	23.1	26.3	14.5	17	105 0017 0000
GPN 1050 SW 19	25.2	27.1	15.5	19	105 0019 0000
GPN 1050 SW 22	28.7	26.9	15.5	22	105 0022 0000
GPN 1050 SW 24	30.5	28.5	17	24	105 0024 0000
GPN 1050 SW 27	34.5	28.2	17	27	105 0027 0000
GPN 1050 SW 30	38	28.4	17	30	105 0030 0000
GPN 1050 SW 32	40.3	28.4	17	32	105 0032 0000
GPN 1050 SW 36	44.9	28.3	17	36	105 0036 0000
GPN 1050 SW 41	50.7	29.5	18	41	105 0041 0000
GPN 1050 SW 46	56.4	30	19	46	105 0046 0000
GPN 1050 SW 50	61	30.5	19.5	50	105 0050 0000
GPN 1050 SW 60	72.6	31	20	60	105 0060 0000

Size in mm

For information regarding materials, colours, drawings and the use of our items, please refer to pages 124/125.

You might also be interested in the following products: **GPN 1000, GPN 1010**