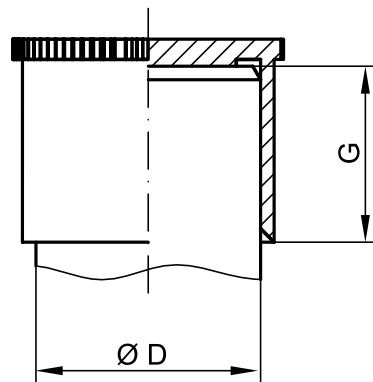


PROTECTIVE CAPS

# GPN 200 Type A

Free test samples:

+49 4442 982-9100  
poeppele.com/en/gpn200a**Standard colour:** Natural**Material:** PE-LD**Cleaner.**

Upon request, we can manufacture in the specially designed cleanroom in accordance with VDA Volume 19 and ISO 16232. For further information, please refer to page 129.

**Better.**

Cylindrical caps with easy-to-grip knurled collar for protection of threaded studs, pipe ends and shafts.

Suitable for external

item	diameter D	G	Order no.
GPN 200 Z 5 × 13	5	13	200 0513 0000
GPN 200 Z 5 × 20	5	20	200 0520 0000
GPN 200 Z 6 × 10	6	10	200 0610 0000
GPN 200 Z 6 × 16	6	16	200 0616 0000
GPN 200 Z 6 × 31	6	31	200 0631 0000
GPN 200 Z 7 × 16	7	15.5	200 0716 0000
GPN 200 Z 8 × 10	8	10	200 0810 0000
GPN 200 Z 8 × 16	8	16	200 0816 0000
GPN 200 Z 8 × 30	8	30	200 0830 0000
GPN 200 Z 9 × 12	9	11.5	200 0912 0000
GPN 200 Z 9 × 16	9	16	200 0916 0000
GPN 200 Z 10 × 6	10	6	200 1060 0000
GPN 200 Z 10 × 10	10	10	200 1010 0000
GPN 200 Z 10 × 22	10	22	200 1022 0000
GPN 200 Z 10 × 28	10	28	200 1028 0000
GPN 200 Z 10 × 33	10	33	200 1033 0000
GPN 200 Z 12 × 10	12	10	200 1210 0000
GPN 200 Z 12 × 16	12	16	200 1216 0000
GPN 200 Z 12 × 35	12	35	200 1235 0000
GPN 200 Z 12.5 × 20	12.5	20	200 1252 0000
GPN 200 Z 14 × 8	14	8	200 1480 0000
GPN 200 Z 14 × 10	14	10	200 1410 0000
GPN 200 Z 14 × 15	14	15	200 1415 0000
GPN 200 Z 14 × 20	14	20	200 1420 0000
GPN 200 Z 14 × 38	14	38	200 1438 0000
GPN 200 Z 14.5 × 15	14.5	15	200 1451 0000

Size in mm

» Continued on page 10

For information regarding materials, colours, drawings and the use of our items, please refer to pages 124/125.

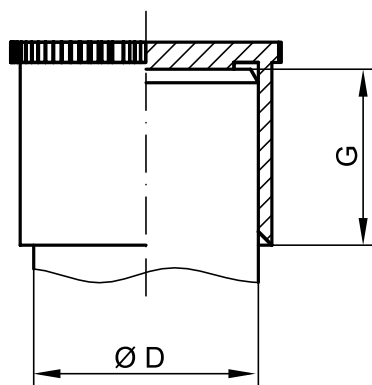
You might also be interested in the following products: GPN 201, GPN 205, GPN 210, GPN 900

PROTECTIVE CAPS

# GPN 200 Type A

Free test samples:

+49 4442 982-9100

[poeppelmann.com/en/gpn200a](http://poeppelmann.com/en/gpn200a)


« Continued from page 9



Standard colour: Natural

Material: PE-LD



### Cleaner.

Upon request, we can manufacture in the specially designed cleanroom in accordance with VDA Volume 19 and ISO 16232. For further information, please refer to page 129.



### Better.

Cylindrical caps with easy-to-grip knurled collar for protection of threaded studs, pipe ends and shafts.

#### Suitable for external

item	diameter D	G	Order no.
GPN 200 Z 16 × 8	16	8	200 1680 0000
GPN 200 Z 16 × 15	16	15	200 1615 0000
GPN 200 Z 16 × 20	16	20	200 1620 0000
GPN 200 Z 16 × 25	16	25	200 1625 0000
GPN 200 Z 18 × 15	18	15	200 1815 0000
GPN 200 Z 18 × 20	18	20	200 1820 0000
GPN 200 Z 18 × 26	18	26	200 1826 0000
GPN 200 Z 20 × 14	20	14	200 2014 0000
GPN 200 Z 20 × 20	20	20	200 2020 0000
GPN 200 Z 22 × 18	22	18	200 2218 0000
GPN 200 Z 22 × 30	22	30	200 2230 0000
GPN 200 Z 24 × 18	24	18	200 2418 0000
GPN 200 Z 27 × 20	27	20	200 2720 0000
GPN 200 Z 28 × 20	28	20	200 2820 0000
GPN 200 Z 30 × 22	30	22	200 3022 0000
GPN 200 Z 32 × 22	32	22	200 3222 0000
GPN 200 Z 33 × 25	33	25	200 3325 0000
GPN 200 Z 35 × 25	35	25	200 3525 0000
GPN 200 Z 36 × 25	36	25	200 3625 0000
GPN 200 Z 38 × 25	38	25	200 3825 0000
GPN 200 Z 39 × 27	39	27	200 3927 0000
GPN 200 Z 40 × 27	40	27	200 4027 0000
GPN 200 Z 42 × 27	42	27	200 4227 0000
GPN 200 Z 45 × 30	45	30	200 4530 0000
GPN 200 Z 48 × 30	48	30	200 4830 0000
GPN 200 Z 50 × 30	50	30	200 5030 0000

Size in mm

#### Suitable for external

item	thread	diameter D	G	Order no.
GPN 200 G 1/4	G 1/4	13	15	200 0589 0000
GPN 200 G 3/8	G 3/8	16.5	13	200 0566 0000
GPN 200 G 1/2	G 1/2	21	15	200 0567 0000
GPN 200 G 3/4	G 3/4	26.5	16.5	200 0568 0000
GPN 200 G 1	G 1	33	19.5	200 0590 0000

Size in mm

For information regarding materials, colours, drawings and the use of our items, please refer to pages 124/125.

You might also be interested in the following products: GPN 201, GPN 205, GPN 210, GPN 900