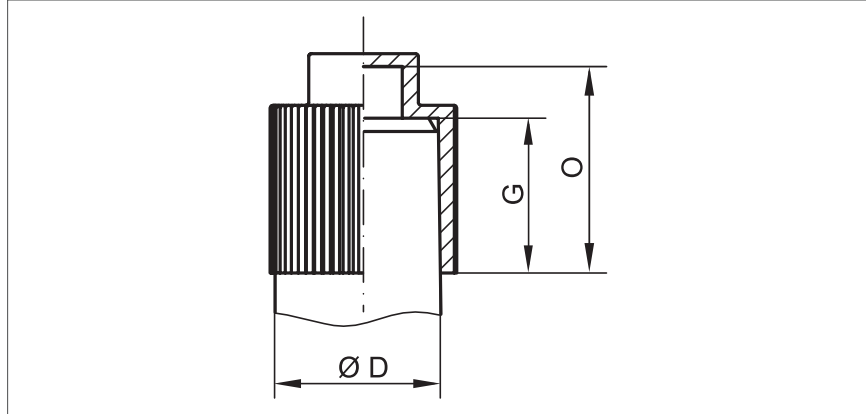


Protective Caps

GPN 200 Type B



Suitable for external		Dimensions		Order no.
Thread	Diameter D	G	O	
M 12 x 1.5	12.0	12.0	16.0	200 / 1040
M 20 x 1.5	20.0	20.0	26.0	200 / 0790
R 1/4	13.0	12.0	16.0	200 / 1041
R 1/2	21.0	20.0	26.0	200 / 0791

Size in mm

Colour and material alternatives, additional sizes, bespoke designs and technical cleanliness on request. For more information about materials, colours, drawings and application of our items, please see page 114/115.

>> You also might be interested in the following products: GPN 201, GPN 205, GPN 210, GPN 900

Your KAPSTO® quality benefits:



Standard protection: Designed for male end connectors in accordance with DIN EN 837-1 and DIN EN 837-3.



Technical cleanliness: Production in accordance with VDA Band 19 and ISO 16232 in our specially equipped cleanroom on request. For more information, please see page 116/117.



Additional information: Easy-to-grip knurled outer wall for easy removal.

Material: PE-LD

Colour: Natural



PÖPPELMANN

We will be happy to advise you: +49 4442 982-9166

KAPSTO®