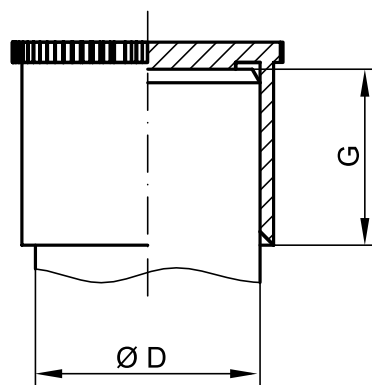


FLEXIBLE PROTECTIVE CAPS

GPN 201

Free test samples:

+49 4442 982-9100

poeppelmann.com/en/gpn201


Standard colour: Yellow

Material: TPE (plasticiser-free)



Higher temperature resistance.

Heat resistant to 150 °C. More details: page 125, "Physical properties".



More versatile.

Suitable for different diameters due to flexible material.



Better.

Cylindrical caps with easy-to-grip knurled collar for protection of threaded studs, pipe ends and shafts.

Suitable for external

item	diameter D	G	Order no.
GPN 201 Z 5 × 13	4.9 - 5.4	13	201 0513 0000
GPN 201 Z 5 × 20	4.9 - 5.4	20	201 0520 0000
GPN 201 Z 6 × 10	5.9 - 6.4	10	201 0610 0000
GPN 201 Z 6 × 16	5.9 - 6.4	16	201 0616 0000
GPN 201 Z 7 × 16	6.9 - 7.3	15.5	201 0716 0000
GPN 201 Z 8 × 10	8 - 8.4	10	201 0810 0000
GPN 201 Z 8 × 16	7.9 - 8.4	16	201 0816 0000
GPN 201 Z 8 × 30	7.9 - 8.1	30	201 0830 0000
GPN 201 Z 9 × 12	9.2 - 9.4	11.5	201 0912 0000
GPN 201 Z 9 × 16	9 - 9.1	16	201 0916 0000
GPN 201 Z 10 × 6	10 - 10.7	6	201 1060 0000
GPN 201 Z 10 × 10	9.9 - 10.5	10	201 1010 0000
GPN 201 Z 10 × 22	10 - 10.3	22	201 1022 0000
GPN 201 Z 10 × 28	9.9 - 10.2	28	201 1028 0000
GPN 201 Z 10 × 33	9.9 - 10.1	33	201 1033 0000
GPN 201 Z 12 × 10	11.9 - 12.8	10	201 1210 0000
GPN 201 Z 12 × 16	11.8 - 12.5	16	201 1216 0000
GPN 201 Z 12 × 35	11.9 - 12.1	35	201 1235 0000
GPN 201 Z 12.5 × 20	12.5 - 13.3	20	201 1252 0000
GPN 201 Z 14 × 8	13.9 - 14.8	8	201 1480 0000
GPN 201 Z 14 × 10	13.9 - 14.7	10	201 1410 0000
GPN 201 Z 14 × 15	13.9 - 14.6	15	201 1415 0000
GPN 201 Z 14 × 20	13.9 - 14.4	20	201 1420 0000
GPN 201 Z 14 × 38	13.9 - 14.4	38	201 1438 0000
GPN 201 Z 14.5 × 15	14.4 - 14.9	15	201 1451 0000
GPN 201 Z 16 × 8	15.9 - 16.7	8	201 1680 0000
GPN 201 Z 16 × 15	16 - 16.6	15	201 1615 0000
GPN 201 Z 16 × 20	15.9 - 16.6	20	201 1620 0000
GPN 201 Z 18 × 15	17.9 - 18.9	15	201 1815 0000
GPN 201 Z 18 × 20	17.9 - 18.4	20	201 1820 0000
GPN 201 Z 18 × 26	17.9 - 18.3	26	201 1826 0000
GPN 201 Z 20 × 14	20 - 20.7	14	201 2014 0000
GPN 201 Z 20 × 20	20 - 20.7	20	201 2020 0000
GPN 201 Z 22 × 18	22.2 - 22.8	18	201 2218 0000
GPN 201 Z 22 × 30	21.9 - 22.5	30	201 2230 0000
GPN 201 Z 24 × 18	23.9 - 24.6	18	201 2418 0000
GPN 201 Z 27 × 20	26.7 - 27.8	20	201 2720 0000
GPN 201 Z 28 × 20	27.7 - 28.6	20	201 2820 0000
GPN 201 Z 30 × 22	29.8 - 30.7	22	201 3022 0000
GPN 201 Z 32 × 22	31.3 - 32.8	22	201 3222 0000
GPN 201 Z 33 × 25	32.7 - 33.9	25	201 3325 0000
GPN 201 Z 35 × 25	35 - 35.8	25	201 3525 0000
GPN 201 Z 36 × 25	35.8 - 37.5	25	201 3625 0000
GPN 201 Z 38 × 25	38.1 - 39.2	25	201 3825 0000
GPN 201 Z 39 × 27	38.6 - 39.7	27	201 3927 0000
GPN 201 Z 40 × 27	39.8 - 41	27	201 4027 0000
GPN 201 Z 42 × 27	41.9 - 42.9	27	201 4227 0000
GPN 201 Z 45 × 30	45.1 - 46	30	201 4530 0000
GPN 201 Z 48 × 30	48.3 - 49.9	30	201 4830 0000
GPN 201 Z 50 × 30	50 - 51	30	201 5030 0000

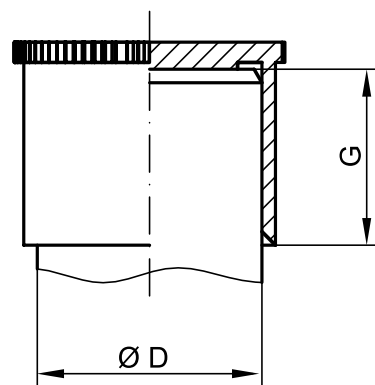
Size in mm

» Continued on page 13

FLEXIBLE PROTECTIVE CAPS

GPN 201

Free test samples:

+49 4442 982-9100
poeppele.com/en/gpn201

« Continued from page 12



Suitable for external

item	diameter D	G	Order no.
GPN 201 G 1/4	13.2 - 13.9	15	201 0589 0000
GPN 201 G 3/8	16.5 - 17.1	13	201 0566 0000
GPN 201 G 1/2	20.8 - 21.5	15	201 0567 0000
GPN 201 G 3/4	26.2 - 27.7	16.5	201 0568 0000
GPN 201 G 1	33.1 - 34.7	19.5	201 0590 0000

Size in mm

This application table is a guide only. We would be happy to send you free samples for testing.

For information regarding materials, colours, drawings and the use of our items, please refer to pages 124/125.

Dimension G is not subject to DIN ISO 3302-1.

The engraving equals the GPN 200 standard series.

You might also be interested in the following products: GPN 205, GPN 211



Higher temperature resistance.

Heat resistant to 150 °C. More details: page 125, "Physical properties".



More versatile.

Suitable for different diameters due to flexible material.



Better.

Cylindrical caps with easy-to-grip knurled collar for protection of threaded studs, pipe ends and shafts.