

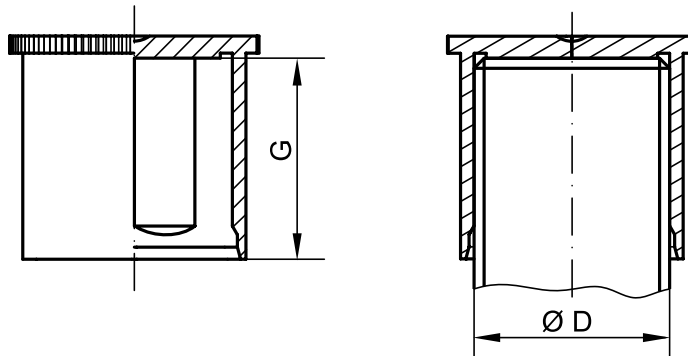
PROTECTIVE CAPS

GPN 205

Free test samples:

+49 4442 982-9100

poeppele.com/en/gpn205

**Standard colour:** Yellow**Material:** EVA, free from plasticisers**More versatile.**

Flexible material in combination with internal clamping surfaces help to accommodate larger tolerances.

**Cleaner.**

Upon request, we can manufacture in the specially designed cleanroom in accordance with VDA Volume 19 and ISO 16232. For further information, please refer to page 129.

**Better.**

Suitable for studs, external threads and pins. Easy-go-grip knurled collar and clamping surfaces for firm fit and low-abrasion removal.

Suitable for external**Dimensions**

| item | diameter D | G | Order no. |
|-------------------|------------|------|---------------|
| GPN 205 K 10 × 12 | 10 | 12.2 | 205 1012 0000 |
| GPN 205 K 12 × 12 | 12 | 12.2 | 205 1212 0000 |
| GPN 205 K 14 × 14 | 14 | 14.2 | 205 1414 0000 |
| GPN 205 K 16 × 16 | 16 | 16.2 | 205 1616 0000 |
| GPN 205 K 18 × 18 | 18 | 18.2 | 205 1818 0000 |
| GPN 205 K 20 × 20 | 20 | 20.2 | 205 2020 0000 |
| GPN 205 K 22 × 22 | 22 | 22.2 | 205 2222 0000 |
| GPN 205 G 1/8 | 9.7 | 12.2 | 205 1800 0000 |
| GPN 205 G 1/4 | 13.2 | 14.2 | 205 1400 0000 |
| GPN 205 G 3/8 | 16.7 | 18.2 | 205 3800 0000 |
| GPN 205 G 1/2 | 21 | 21.2 | 205 1200 0000 |
| GPN 205 G 5/8 | 23 | 22.2 | 205 5800 0000 |
| GPN 205 G 3/4 | 26.4 | 22.2 | 205 3400 0000 |
| GPN 205 G 1 | 33.3 | 23.2 | 205 1000 0000 |

Size in mm

For information regarding materials, colours, drawings and the use of our items, please refer to pages 124/125.

Application Guide

Suitable for metric threads

| Standard thread | Finde thread | | Pipe thread | item |
|-----------------|--------------|-------------|-------------|-------------------|
| M 10 | M 10 × 1 | M 10 × 1.25 | | GPN 205 K 10 × 12 |
| M 12 | M 12 × 1 | M 12 × 1.25 | M 12 × 1.5 | GPN 205 K 12 × 12 |
| M 14 | M 14 × 1 | | M 14 × 1.5 | GPN 205 K 14 × 14 |
| M 16 | M 16 × 1 | | M 16 × 1.5 | GPN 205 K 16 × 16 |
| M 18 | M 18 × 1 | | M 18 × 1.5 | GPN 205 K 18 × 18 |
| M 20 | M 20 × 1 | | M 20 × 1.5 | GPN 205 K 20 × 20 |
| M 22 | M 22 × 1 | | M 22 × 1.5 | GPN 205 K 22 × 22 |
| | | | G 1/8 | GPN 205 G 1/8 |
| | | | G 1/4 | GPN 205 G 1/4 |
| | | | G 3/8 | GPN 205 G 3/8 |
| | | | G 1/2 | GPN 205 G 1/2 |
| | | | G 5/8 | GPN 205 G 5/8 |
| | | | G 3/4 | GPN 205 G 3/4 |
| | | | G 1 | GPN 205 G 1 |

This application table is a guide only. We would be happy to send you free samples for testing.

You might also be interested in the following products: GPN 215, GPN 255, GPN 800, GPN 802