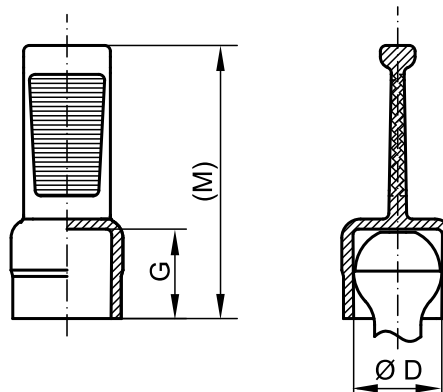


GRIP CAPS

# GPN 212

Watch the film now:  
[poeppelmann.com/en/gpn212](http://poeppelmann.com/en/gpn212)



**Standard colour:** Yellow

**Material:** TPE (plasticiser-free)



### Saves time.

With ergonomically designed removal tab for easy handling.



### Higher temperature resistance.

Heat resistant to 150 °C. More details: page 125, "Physical properties".



### More versatile.

Can be used for different counterpart geometries thanks to flexible material.



### Better.

Especially suitable for pipes with ball sockets.

#### Suitable for external

#### Dimensions

item	diameter D	G	(M)	Order no.
GPN 212 FM 76	8 - 8.8	7.8	23.3	212 0076 0000
GPN 212 FM 77	8 - 9	10.1	25.4	212 0077 0000
GPN 212 FM 88*	9.4 - 10.1	11.1	26.8	212 0088 0000
GPN 212 FM 102	10.3 - 11.2	8.7	24.2	212 0102 0000

Size in mm

For information regarding materials, colours, drawings and the use of our items, please refer to pages 124/125.

\* This size comes with internal clamping surfaces.

You might also be interested in the following products: [GPN 207](#), [GPN 211](#)



**PÖPPELMANN**

**KAPSTO®**