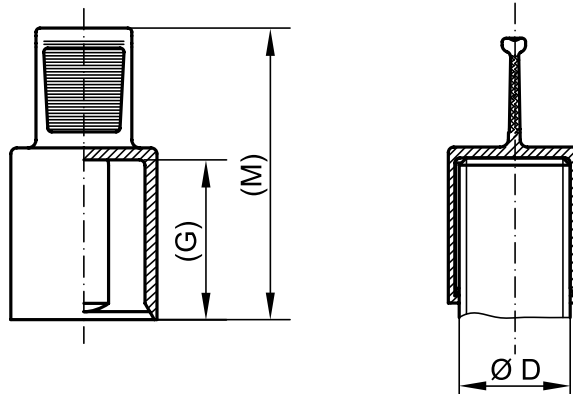


GRIP CAPS

GPN 215

Watch the film now:
poepelmann.com/en/gpn215



Standard colour: Black
Material: EVA (plasticiser-free)



Saves time.

With ergonomically designed removal tab for easy handling.



More versatile.

Interior surfaces accommodate major tolerances, ensuring a tight fit.



Cleaner.

Upon request, we can manufacture in the specially designed cleanroom in accordance with VDA Volume 19 and ISO 16232. For further information, please refer to page 129.



Better.

Suitable for external threads and studs.

Suitable for external

item	Dimensions			Order no.
	diameter D	(G)	(M)	
GPN 215 ML 8 × 20	8	20	36.5	215 0820 0000
GPN 215 ML 10 × 20	10	20	36.5	215 1020 0000
GPN 215 ML 12 × 20	12	20	36.5	215 1220 0000
GPN 215 ML 14 × 20	14	20	36.5	215 1420 0000
GPN 215 ML 16 × 20	16	20	36.5	215 1620 0000
GPN 215 ML 17 × 20	17	20	36.5	215 1720 0000
GPN 215 ML 18 × 20	18	20	36.5	215 1820 0000
GPN 215 ML 19 × 20	19	20	36.5	215 1920 0000
GPN 215 ML 20 × 20	20	20	36.5	215 2020 0000
GPN 215 ML 22 × 20	22	20	36.5	215 2220 0000
GPN 215 ML 24 × 20	24	20	36.5	215 2420 0000

Size in mm

For information regarding materials, colours, drawings and the use of our items, please refer to pages 124/125.

Application Guide

Suitable for metric threads

Standard thread	Finde thread			item
M 8	M 8 × 1			GPN 215 ML 8 × 20
M 10	M 10 × 1	M 10 × 1.25		GPN 215 ML 10 × 20
M 12	M 12 × 1	M 12 × 1.25	M 12 × 1.5	GPN 215 ML 12 × 20
M 14	M 14 × 1		M 14 × 1.5	GPN 215 ML 14 × 20
M 16	M 16 × 1		M 16 × 1.5	GPN 215 ML 16 × 20
	M 17 × 1		M 17 × 1.5	GPN 215 ML 17 × 20
M 18	M 18 × 1		M 18 × 1.5	GPN 215 ML 18 × 20
M 20	M 20 × 1		M 20 × 1.5	GPN 215 ML 20 × 20
M 22	M 22 × 1		M 22 × 1.5	GPN 215 ML 22 × 20
			M 22 × 2	
M 24	M 24 × 1		M 24 × 1.5	GPN 215 ML 24 × 20
			M 24 × 2	

Size in mm

This application table is a guide only. We would be happy to send you free samples for testing.

You might also be interested in the following products: GPN 205, GPN 211, GPN 255, GPN 802