

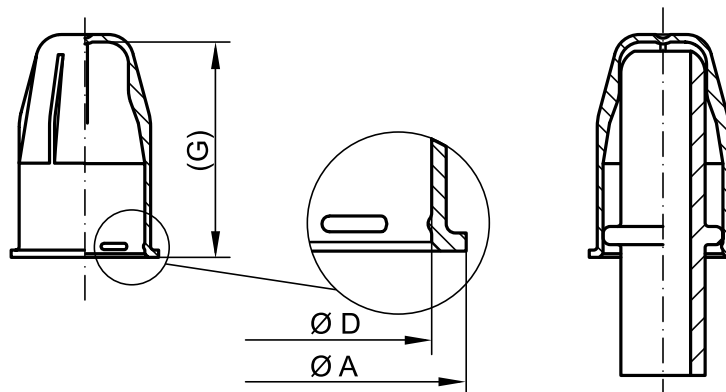
## PROTECTIVE CAPS

**GPN 240**

Free test samples:

+49 4442 982-9100

poeppele.com/en/gpn240

**Standard colour:** Yellow**Material:** PE-LLD**Better fit.**

For protecting the mating surfaces of SAE quick-connect plugs.

**Seals better.**

Suitable for pressure testing depending on the application.

**Cleaner.**

Upon request, we can manufacture in the specially designed cleanroom in accordance with VDA Volume 19 and ISO 16232. For further information, please refer to page 129.

**Better.**

The sealing surface of the SAE connector remains untouched.

**Suitable for external****Dimensions**

item	Nominal width of SAE connector	Dimensions			Order no.
		A	D	(G)	
GPN 240 MT 8	8	14.7	10.9	24.7	240 0008 0000
GPN 240 MT 9.5	9.5	16.7	12.9	25.1	240 0095 0000
GPN 240 MT 10	10	17.2	13.4	27.8	240 0010 0000
GPN 240 MT 12	12	20.3	16.5	29.6	240 0012 0000
GPN 240 MT 18	18	24.8	21	29.6	240 0018 0000

Size in mm

For information regarding materials, colours, drawings and the use of our items, please refer to pages 124/125.

You might also be interested in the following products: [GPN 210](#), [GPN 211](#), [GPN 245](#)