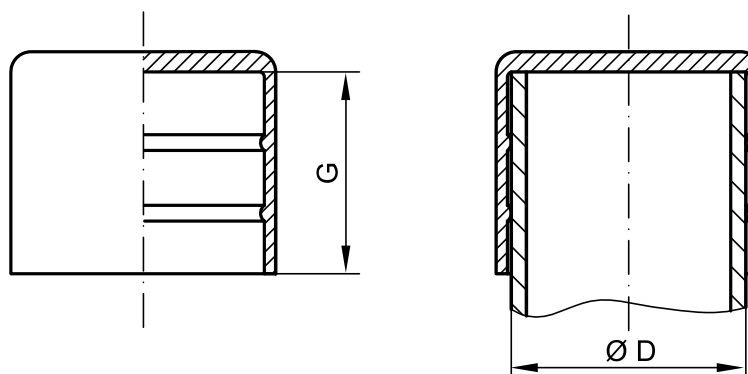


PROTECTIVE CAPS FOR PIPES

GPN 250

Free test samples:

+49 4442 982-9100

poeppelemann.com/en/gpn250


Standard colour: Yellow

Material: PE-LD; PE-LLD (from GPN 250/219)



Better fit.

Protection for pipes in accordance with DIN EN 10220, DIN EN 10255 and DIN EN ISO 1127.



More robust.

Thick-walled design for higher demands.



Better.

Discontinuous internal beads, offset by 180° degrees, permit venting and pressure equalisation.

Suitable for external

item	diameter D	thread	G	Order no.
GPN 250 / 4	4		19,5	250 0040 0000
GPN 250 / 8	8		14	250 0080 0000
GPN 250 / 10.2	10.2	G 1/8	19,5	250 0102 0000
GPN 250 / 12	12		20	250 0120 0000
GPN 250 / 13.5	13.5	G 1/4	20	250 0135 0000
GPN 250 / 14	14		20	250 0140 0000
GPN 250 / 15	15		19,5	250 0150 0000
GPN 250 / 16	16		20	250 0160 0000
GPN 250 / 16.75	16.8		19,5	250 0167 0000
GPN 250 / 17.2	17.2	G 3/8	20,5	250 0172 0000
GPN 250 / 18	18		20	250 0180 0000
GPN 250 / 20	20		20	250 0200 0000
GPN 250 / 21.3	21.3	G 1/2	20	250 0213 0000
GPN 250 / 22	22		20	250 0220 0000
GPN 250 / 24	24		20	250 0240 0000
GPN 250 / 25	25		20	250 0250 0000
GPN 250 / 26	26		27	250 0260 0000
GPN 250 / 26.9	26.9	G 3/4	27,5	250 0269 0000
GPN 250 / 28	28		27	250 0280 0000
GPN 250 / 30	30		27,5	250 0300 0000
GPN 250 / 32	31.8		27,5	250 0320 0000
GPN 250 / 32.5	32.5		15	250 0325 0000
GPN 250 / 33.7	33.7	G 1	28	250 0337 0000
GPN 250 / 35	35		27	250 0350 0000
GPN 250 / 38	38		27	250 0380 0000
GPN 250 / 40	40		27	250 0400 0000
GPN 250 / 41.5	41.5		27	250 0415 0000
GPN 250 / 42.4	42.4	G 1 1/4	35,5	250 0424 0000
GPN 250 / 44.5	44.5	G 1 3/8	35	250 0445 0000
GPN 250 / 48.3	48.3	G 1 1/2	35	250 0483 0000
GPN 250 / 50	50		34,5	250 0500 0000
GPN 250 / 51	51		35	250 0510 0000
GPN 250 / 54	54	G 1 3/4	35	250 0540 0000
GPN 250 / 57	57		35	250 0570 0000
GPN 250 / 60	60.3	G 2	36	250 0600 0000
GPN 250 / 63.5	63.5		35	250 0635 0000
GPN 250 / 70	70		36	250 0700 0000
GPN 250 / 73	73		34	250 0730 0000
GPN 250 / 76	76.1	G 2 1/2	36	250 0760 0000
GPN 250 / 83	82.5	G 2 3/4	35	250 0830 0000
GPN 250 / 87.9	87.9	G 3	34,5	250 0879 0000
GPN 250 / 89	88.9		35	250 0890 0000
GPN 250 / 95	95		35	250 0950 0000
GPN 250 / 102	101.6		34,5	250 1020 0000
GPN 250 / 108	108		34,5	250 1080 0000
GPN 250 / 113	113	G 4	40,5	250 1130 0000
GPN 250 / 114.3	114.3		35,5	250 1143 0000
GPN 250 / 121	121		34,5	250 1210 0000

Size in mm

» Continued on page 19



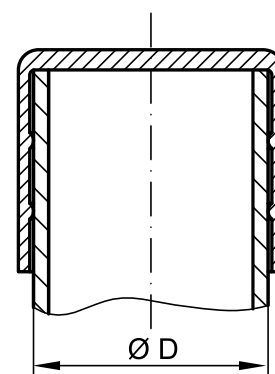
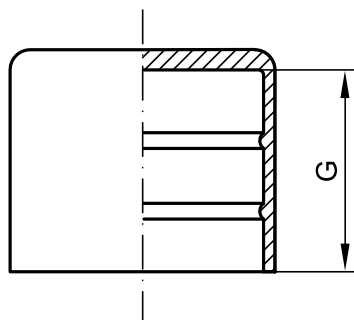
PÖPPELMANN

KAPSTO®

PROTECTIVE CAPS FOR PIPES

GPN 250

Free test samples:

+49 4442 982-9100
poepplmann.com/en/gpn250

« Continued from page 18



Suitable for external

item	diameter D	thread	G	Order no.
GPN 250 / 127	127	G 4 1/2	34,5	250 1270 0000
GPN 250 / 130	130		34,5	250 1300 0000
GPN 250 / 133	133		34,5	250 1330 0000
GPN 250 / 139,7	139,7	G 5	34,5	250 1397 0000
GPN 250 / 146	146		35	250 1460 0000
GPN 250 / 152,4	152,4	G 5 1/2	35	250 1524 0000
GPN 250 / 159	159		34,5	250 1590 0000
GPN 250 / 168,3	168,3	G 6	34,5	250 1683 0000
GPN 250 / 174,9	174,9		20	250 1749 0000
GPN 250 / 219	219	G 8	41	250 2190 0000
GPN 250 / 273	273	G 10	41,5	250 2730 0000
GPN 250 / 323,9	323,9	G 12	45,5	250 3239 0000
GPN 250 / 355,6	355,6	G 14	54	250 3556 0000
GPN 250 / 406,4	406,4	G 16	53	250 4064 0000

Size in mm

For information regarding materials, colours, drawings and the use of our items, please refer to pages 124/125.

You might also be interested in the following products: GPN 200 Type A, GPN 600, GPN 610

**Better fit.**

Protection for pipes in accordance with DIN EN 10220, DIN EN 10255 and DIN EN ISO 1127.

**More robust.**

Thick-walled design for higher demands.

**Better.**

Discontinuous internal beads, offset by 180° degrees, permit venting and pressure equalisation.