

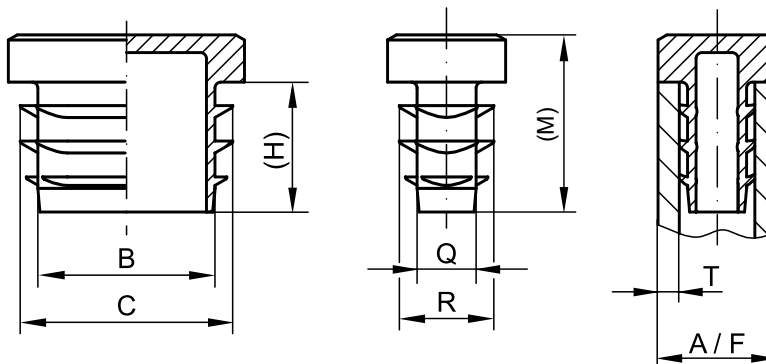
RECTANGULAR PLUGS

## GPN 270

Free test samples:

+49 4442 982-9100

poeppele.com/en/gpn270



Standard colour: Black

Material: PE-LLD

**More robust.**

Reinforced head area for higher demands.

**Better.**

For closing of selection tubes. Distinctive external ribs provide a secure press fit. High visual appeal due to grained top surface finish and chamfered edges.

item	Suitable for pipe dimensions		Dimensions						Order no.
	External A/F	Wall thickness T	B	C	(H)	(M)	Q	R	
GPN 270 R 2010 1.5 - 2	20 × 10	1.5 - 2	15	18	11	15	5	8	270 2010 0000
GPN 270 R 2015 1.5 - 2	20 × 15	1.5 - 2	15	18	11	15	10	13	270 2015 0000
GPN 270 R 2510 1.5 - 2	25 × 10	1.5 - 2	20	23	11	15	5	8	270 2510 0000
GPN 270 R 2515 1.5 - 2	25 × 15	1.5 - 2	20	23	11	15	10	13	270 2515 0000
GPN 270 R 2520 1.5 - 2	25 × 20	1.5 - 2	20	23	11	15	15	18	270 2520 0000
GPN 270 R 3010 1.5 - 2	30 × 10	1.5 - 2	25	28	11	15	5	8	270 3010 0000
GPN 270 R 3015 1.5 - 2	30 × 15	1.5 - 2	25	28	11	15	10	13	270 3015 0000
GPN 270 R 3020 1.5 - 2	30 × 20	1.5 - 2	25	28	11	15	15	18	270 3020 0000
GPN 270 R 3020 3	30 × 20	3	23	26	11	15	13	16	270 3023 0000
GPN 270 R 3025 1.5 - 2	30 × 25	1.5 - 2	24	28	14	19	19	23	270 3025 0000
GPN 270 R 3520 1.5 - 2	35 × 20	1.5 - 2	29	33	14	19	14	18	270 3520 0000
GPN 270 R 3525 1.5 - 2	35 × 25	1.5 - 2	29	33	14	19	19	23	270 3525 0000
GPN 270 R 3530 1.5 - 2	35 × 30	1.5 - 2	29	33	14	19	24	28	270 3530 0000
GPN 270 R 4010 1.5 - 2	40 × 10	1.5 - 2	34	38	14	19	4	8	270 4010 0000
GPN 270 R 4015 1.5 - 2	40 × 15	1.5 - 2	34	38	14	19	9	13	270 4015 0000
GPN 270 R 4020 1.5 - 2	40 × 20	1.5 - 2	34	38	14	19	14	18	270 4020 0000
GPN 270 R 4020 3	40 × 20	3	32	36	14	19	12	16	270 4023 0000
GPN 270 R 4025 1.5 - 2	40 × 25	1.5 - 2	34	38	14	19	19	23	270 4025 0000
GPN 270 R 4030 1.5 - 2	40 × 30	1.5 - 2	34	38	14	19	24	28	270 4030 0000
GPN 270 R 4030 3	40 × 30	3	32	36	14	19	22	26	270 4033 0000
GPN 270 R 4515 1.5 - 2	45 × 15	1.5 - 2	39	43	14	19	9	13	270 4515 0000
GPN 270 R 4520 1.5 - 2	45 × 20	1.5 - 2	39	43	14	19	14	18	270 4520 0000
GPN 270 R 4525 1.5 - 2	45 × 25	1.5 - 2	39	43	14	19	19	23	270 4525 0000
GPN 270 R 4838 1.5 - 2	48 × 38	1.5 - 2	42	46	14	19	32	36	270 4838 0000
GPN 270 R 5020 1.5 - 2	50 × 20	1.5 - 2	44	48	14	19	14	18	270 5020 0000
GPN 270 R 5025 1.5 - 2	50 × 25	1.5 - 2	44	48	14	19	19	23	270 5025 0000
GPN 270 R 5030 1.5 - 2	50 × 30	1.5 - 2	44	48	14	19	24	28	270 5030 0000
GPN 270 R 5030 3	50 × 30	3	42	46	14	19	22	26	270 5033 0000
GPN 270 R 5034 1.5 - 2	50 × 34	1.5 - 2	44	48	14	19	28	32	270 5034 0000
GPN 270 R 5040 1.5 - 2	50 × 40	1.5 - 2	44	48	14	19	34	38	270 5040 0000
GPN 270 R 6020 1.5 - 2	60 × 20	1.5 - 2	54	58	14	19	14	18	270 6020 0000
GPN 270 R 6030 1.5 - 2	60 × 30	1.5 - 2	54	58	14	19	24	28	270 6030 0000
GPN 270 R 6030 3	60 × 30	3	52	56	14	19	22	26	270 6033 0000
GPN 270 R 6040 1.5 - 2	60 × 40	1.5 - 2	54	58	14	19	34	38	270 6040 0000
GPN 270 R 6040 4	60 × 40	4	50	54	14	19	30	34	270 6044 0000
GPN 270 R 6040 5	60 × 40	5	48	52	14	19	28	32	270 6045 0000
GPN 270 R 7030 1.5 - 2	70 × 30	1.5 - 2	63	68	17	22	23	28	270 7030 0000
GPN 270 R 7040 1.5 - 2	70 × 40	1.5 - 2	63	68	17	22	33	38	270 7040 0000
GPN 270 R 7040 4	70 × 40	4	59	64	17	22	29	34	270 7044 0000
GPN 270 R 8020 1.5 - 2	80 × 20	1.5 - 2	73	78	17	22	13	18	270 8020 0000
GPN 270 R 8030 1.5 - 2	80 × 30	1.5 - 2	73	78	17	22	23	28	270 8030 0000
GPN 270 R 8040 1.5 - 2	80 × 40	1.5 - 2	73	78	17	22	33	38	270 8040 0000

Size in mm

» Continued on page 64

For information regarding materials, colours, drawings and the use of our items, please refer to pages 124/125.

You might also be interested in the following products:

GPN 260, GPN 280, GPN 320, GPN 1000

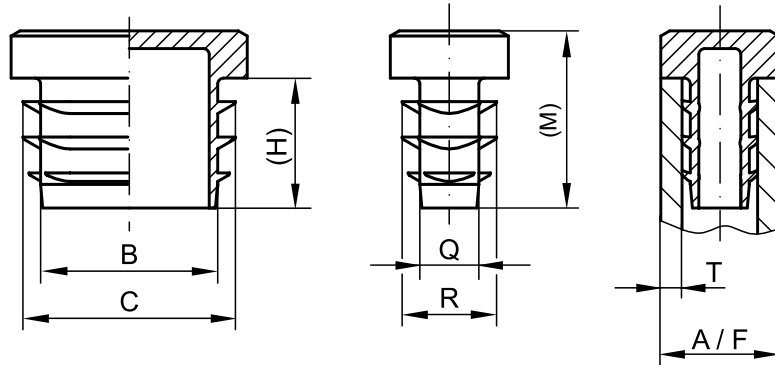
## RECTANGULAR PLUGS

## GPN 270

Free test samples:

+49 4442 982-9100

poeppele.com/en/gpn270



« Continued from page 63



Standard colour: Black

Material: PE-LLD

**More robust.**

Reinforced head area for higher demands.

**Better.**

For closing of selection tubes. Distinctive external ribs provide a secure press fit. High visual appeal due to grained top surface finish and chamfered edges.

## Suitable for pipe dimensions

## Dimensions

item	Suitable for pipe dimensions		Dimensions						Order no.
	External A/F	Wall thickness T	B	C	(H)	(M)	Q	R	
GPN 270 R 8040 4	80 × 40	4	69	74	17	22	29	34	270 8044 0000
GPN 270 R 8040 5	80 × 40	5	67	72	17	22	27	32	270 8045 0000
GPN 270 R 8050 1.5 - 2	80 × 50	1.5 - 2	73	78	17	22	43	48	270 8050 0000
GPN 270 R 8050 4	80 × 50	4	69	74	17	22	39	44	270 8054 0000
GPN 270 R 8060 3	80 × 60	3	71	76	17	22	51	56	270 8060 0000
GPN 270 R 8060 5	80 × 60	5	67	72	17	22	47	52	270 8065 0000
GPN 270 R 10040 1.5 - 2	100 × 40	1.5 - 2	93	98	17	22	33	38	270 1040 0000
GPN 270 R 10040 3	100 × 40	3	91	96	17	22	31	36	270 1043 0000
GPN 270 R 10050 3	100 × 50	3	91	96	17	22	41	46	270 1050 0000
GPN 270 R 10050 4	100 × 50	4	89	94	17	22	39	44	270 1054 0000
GPN 270 R 10050 5	100 × 50	5	87	92	17	22	37	42	270 1055 0000
GPN 270 R 12040 3	120 × 40	3	111	116	17	22	31	36	270 1240 0000
GPN 270 R 12060 3	120 × 60	3	111	116	17	22	51	56	270 1260 0000
GPN 270 R 12060 4	120 × 60	4	109	114	17	22	49	54	270 1264 0000
GPN 270 R 12060 5	120 × 60	5	107	112	17	22	47	52	270 1265 0000
GPN 270 R 12080 1.5 - 2	120 × 80	1.5 - 2	113	118	17	22	73	78	270 1280 0000
GPN 270 R 14080 4	140 × 80	4	129	134	17	22	69	74	270 1480 0000

Size in mm

For information regarding materials, colours, drawings and the use of our items, please refer to pages 124/125.

You might also be interested in the following products:

GPN 260, GPN 280, GPN 320, GPN 1000