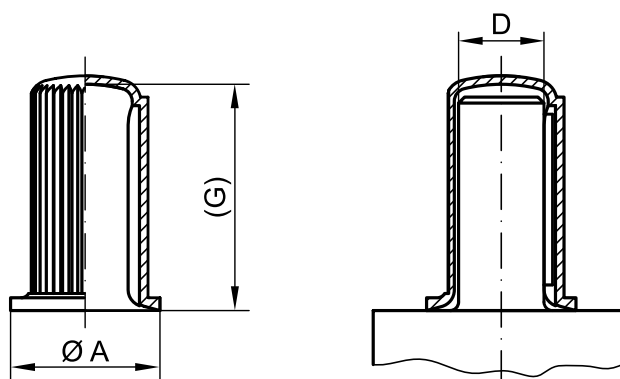


SHAFT PROTECTION

GPN 290

Free test samples:

+49 4442 982-9100

poeppele.com/en/gpn290**Standard colour:** Yellow**Material:** PE-LD**Better fit.**

Protection for shaft ends in accordance with DIN EN 748-1 and DIN EN 50347.

**Better.**

Also secures the feather key.

Suitable for external

Dimensions

item	Suitable for external		Dimensions		Order no.
	diameter D	A	(G)		
GPN 290 / 009	9	14.5	22		290 0009 0000
GPN 290 / 011	11	17.5	26.3		290 0011 0000
GPN 290 / 014	14	22.5	33.5		290 0014 0000
GPN 290 / 015	15	25.5	31		290 0015 0000
GPN 290 / 016	16	25.5	44.5		290 0016 0000
GPN 290 / 019	19	30.5	45		290 0019 0000
GPN 290 / 020	20	32	58		290 0020 0000
GPN 290 / 022	22	35.5	56.8		290 0022 0000
GPN 290 / 024	24	38.5	57		290 0024 0000
GPN 290 / 025	25	40	69		290 0025 0000
GPN 290 / 028	28	45	69		290 0028 0000
GPN 290 / 030	30	48	91.3		290 0030 0000
GPN 290 / 032	32	51	91.8		290 0032 0000
GPN 290 / 035	35	56	91		290 0035 0000
GPN 290 / 038	38	61	91		290 0038 0000
GPN 290 / 042	42	67	125.5		290 0042 0000
GPN 290 / 045	45	72	115.5		290 0045 0000
GPN 290 / 048	48	77	126		290 0048 0000
GPN 290 / 055	55	88	125.8		290 0055 0000
GPN 290 / 060	60	96	160.5		290 0060 0000
GPN 290 / 075	75	112	165		290 0075 0000

Size in mm

For information regarding materials, colours, drawings and the use of our items, please refer to pages 124/125.

You might also be interested in the following products: GPN 200 Type A, GPN 255