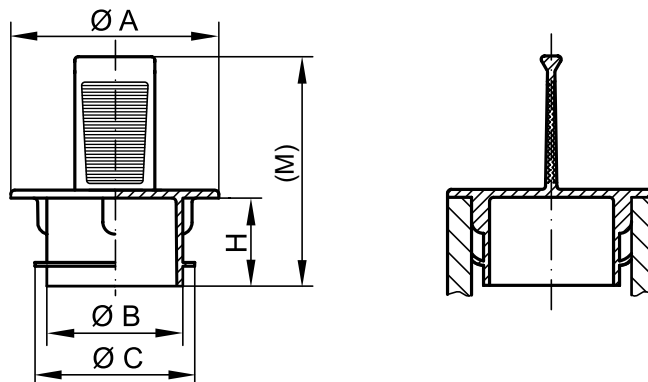


GRIP PLUGS

GPN 305

Free test samples:

+49 4442 982-9100
 poeppelmann.com/en/gpn305



Standard colour: Yellow
Material: EVA (plasticiser-free)



Saves time.
 With ergonomically designed removal tab for easy handling.



Better.
 Protection for hoses, bore holes and internal threads. With circumferential ribs and centring segments for firm fit.

Dimensions

item	A	B	C	H	(M)	Order no.
GPN 305 GV 5	11	3	5.3	11	24	305 0005 0000
GPN 305 GV 7	10	5	7.1	13	27	305 0007 0000
GPN 305 GV 10	18	8.5	10.4	11	24	305 0010 0000
GPN 305 GV 11	19	9.5	11.4	11	24	305 0011 0000
GPN 305 GV 12	18	10	12.5	10	31	305 0012 0000
GPN 305 GV 13	15	11	13.5	10	26	305 0013 0000
GPN 305 GV 14	20	11.5	14	7.5	20.5	305 0014 0000
GPN 305 GV 15	21.5	14	15.4	11	24	305 0015 0000
GPN 305 GV 18	23.5	15.8	18.3	7.5	20.5	305 0018 0000
GPN 305 GV 19	28.5	17	19.4	11	24	305 0019 0000

Size in mm

For information regarding materials, colours, drawings and the use of our items, please refer to pages 124/125.

Application Guide

Metric threads

Standard thread	Finde thread	item
M 6	M 6 × 0.75	GPN 305 GV 5
M 8		GPN 305 GV 7
M 12		GPN 305 GV 10
		GPN 305 GV 11
M 14		GPN 305 GV 12
		GPN 305 GV 14
	M 16 × 1	GPN 305 GV 15
		GPN 305 GV 18
	M 20 × 1	M 20 × 1.5
		GPN 305 GV 19

This application table is a guide only. We will be happy to send you free samples for testing. For apertures and bore holes without thread, please use dimensions B and C.

You might also be interested in the following products:

GPN 308, GPN 310, GPN 330, GPN 608, GPN 630