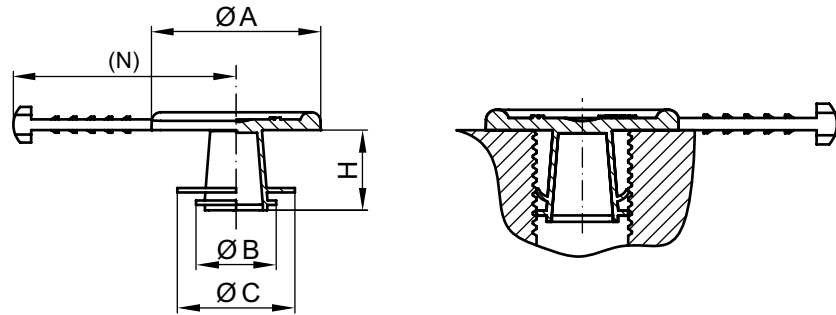


GRIP PLUGS

# GPN 308

Watch the film now:  
[poeppelmann.com/en/gpn308](http://poeppelmann.com/en/gpn308)



**Standard colour:** Yellow

**Material:** PE-LD



### Saves time.

Very quick disassembly thanks to an innovative lateral removal tab. Patented tab design.



### More versatile.

Individual sizes of the standard series protect several thread sizes. Flexible fins bridge larger tolerances.



### Better.

Protection for bore holes and internal threads.

### Dimensions

item	A	B	C	H	(N)	Order no.
GPN 308 SL 132	19	9	13.2	9	25	308 0132 0000
GPN 308 SL 165	22.7	12	16.5	7	27	308 0165 0000
GPN 308 SL 195	30	15.5	19.5	8	31	308 0195 0000
GPN 308 SL 238	34.3	19.3	23.8	9.5	32	308 0238 0000
GPN 308 SL 276	40	22.5	27.6	9.5	35	308 0276 0000
GPN 308 SL 345	45	29.9	34.5	10	38	308 0345 0000

Size in mm

For information regarding materials, colours, drawings and the use of our items, please refer to pages 124/125.

## Application Guide

Metric standard thread	Pipe thread	Unified Thread pursuant to ASME / ANSI B 1.1 UN / UNC / UNF / UNEF	item
M 10	1/8	7/16	GPN 308 SL 132
M 12			GPN 308 SL 132
M 14	1/4	1/2	GPN 308 SL 165
M 16		5/8	GPN 308 SL 165
		9/16	GPN 308 SL 165
M 18	3/8	3/4	GPN 308 SL 195
M 20			GPN 308 SL 195
M 22	1/2	7/8	GPN 308 SL 238
M 24	5/8		GPN 308 SL 238
M 26	3/4	1 1/16	GPN 308 SL 276
M 28		1 1/8	GPN 308 SL 276
M 30	1	1 1/4	GPN 308 SL 345
M 36		1 3/8	GPN 308 SL 345

This application table is a guide only. We will be happy to send you free samples for testing. For apertures and bore holes without thread, please use dimensions B and C.

You might also be interested in the following products: [GPN 305](#), [GPN 310](#), [GPN 315](#)