

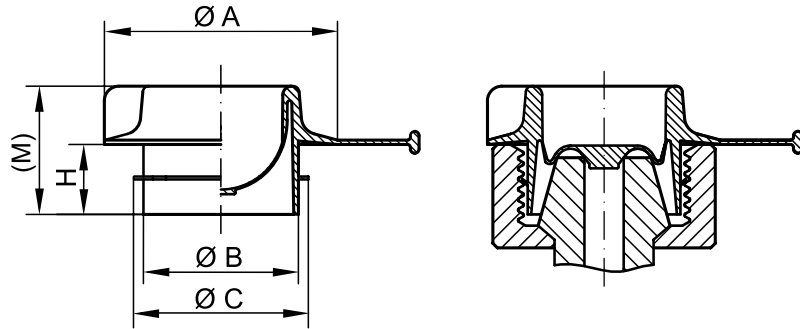
## GRIP CLOSURES

## GPN 335

Free test samples:

+49 4442 982-9100

poeppele.com/en/gpn335



**Standard colour:** Yellow  
**Material:** PE-LD

Dimensions						
item	A	B	C	H	(M)	Order no.
GPN 335 M 12 × 1.5	14	10.1	12	7.5	17.5	335 1215 0000
GPN 335 M 14 × 1.5	17	12.1	14	7.5	17.5	335 1415 0000
GPN 335 M 16 × 1.5	19	14.1	16	7.5	17.5	335 1615 0000
GPN 335 M 18 × 1.5	22	15.8	18	8.7	18.7	335 1815 0000
GPN 335 M 20 × 1.5	24	17.8	20	8.7	18.7	335 2015 0000
GPN 335 M 22 × 1.5	27	19.9	22	8.7	18.7	335 2215 0000
GPN 335 M 24 × 1.5	30	21.8	24	10.7	20.2	335 2415 0000
GPN 335 M 26 × 1.5	32	22.5	27.5	8.5	18.5	335 2615 0000
GPN 335 M 30 × 2	40	26.6	30	10	20	335 3020 0000
GPN 335 M 36 × 2	45	32.6	36	12	24.5	335 3620 0000
GPN 335 M 42 × 2	55	38.5	41.5	12	24.5	335 4220 0000
GPN 335 M 45 × 2	55	41.5	45	12	24.5	335 4520 0000
GPN 335 M 52 × 2	65	48.5	51.5	12	26	335 5220 0000

Size in mm

For information regarding materials, colours, drawings and the use of our items, please refer to pages 124/125.

**Better fit.**

For transport and storage of hose fittings in accordance with DIN ISO 12151.

**Saves time.**

With tab on the side for fast removal.

**Seals better.**

A thin-walled cone prevents penetration and leaking of liquids within certain limits.

**More versatile.**

Flexible ribs for accommodating large tolerances.

## Application Guide

## Metric threads

Standard thread	Finde thread		Pipe thread	item	
M 12	M 12 × 1	M 12 × 1.5		GPN 335 M 12 × 1.5	
	M 14 × 1	M 14 × 1.5		GPN 335 M 14 × 1.5	
	M 16 × 1	M 16 × 1.5	3/8	GPN 335 M 16 × 1.5	
	M 18 × 1	M 18 × 1.5		GPN 335 M 18 × 1.5	
	M 20 × 1	M 20 × 1.5	M 21 × 2	1/2	GPN 335 M 20 × 1.5
	M 22 × 1	M 22 × 1.5			GPN 335 M 22 × 1.5
	M 24 × 1	M 24 × 1.5		GPN 335 M 24 × 1.5	
		M 25 × 1.5		GPN 335 M 26 × 1.5	
		M 26 × 1.5		GPN 335 M 26 × 1.5	
		M 27 × 1.5	M 27 × 2		GPN 335 M 26 × 1.5
		M 30 × 1.5	M 30 × 2	7/8	GPN 335 M 30 × 2
		M 36 × 1.5	M 36 × 2	1 1/8	GPN 335 M 36 × 2
M 39				GPN 335 M 36 × 2	
M 45		M 42 × 1.5	M 42 × 2	GPN 335 M 42 × 2	
				GPN 335 M 42 × 2	
		M 45 × 1.5	M 45 × 2	GPN 335 M 45 × 2	
M 56		M 52 × 1.5	M 52 × 2	GPN 335 M 52 × 2	
				GPN 335 M 52 × 2	

This application table is a guide only. We will be happy to send you free samples for testing. For apertures and bore holes without thread, please use dimensions B and C.

You might also be interested in the following products: GPN 310, GPN 700, GPN 1050