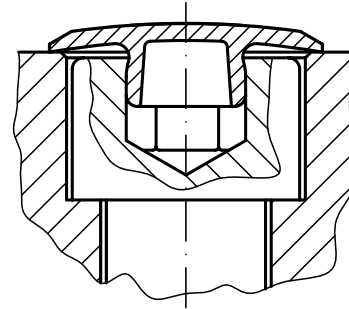
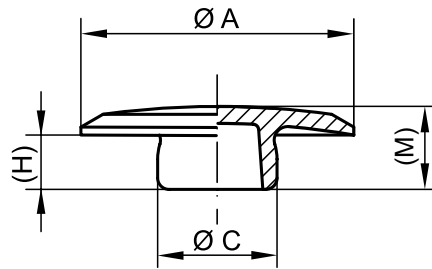


COVERS

GPN 340

Free test samples:

+49 4442 982-9100

poeppelemann.com/en/gpn340


Standard colour: Grey

Material: PE-LD



Better fit.

Suitable for countersunk hexagonal socket head screws in accordance with DIN EN ISO 4762 and locking screws conforming to DIN 908.

Suitable for screws

Dimensions

item	Suitable for screws		Dimensions				Order no.
	Thread	Hexagon socket width across flats	A	C	(H)	(M)	
GPN 340 SW 2.5	M 3	2.5	10	2.8	2.2	4	340 0025 0000
GPN 340 SW 3	M 4	3	12	3.3	2.3	4.3	340 0030 0000
GPN 340 SW 4	M 5	4	14	4.4	2.9	4.9	340 0040 0000
GPN 340 SW 5	M 6	5	15	5.4	3.3	5.3	340 0050 0000
GPN 340 SW 6	M 8	6	19	6.3	4	6.1	340 0060 0000
GPN 340 SW 8	M 10	8	22	8.5	4.5	7	340 0080 0000
GPN 340 SW 10	M 12	10	24	10.5	5	7.3	340 0100 0000
GPN 340 SW 14	M 16	14	30	14.5	7.1	9.7	340 0140 0000
GPN 340 SW 17	M 20	17	36.5	17.5	9	11.6	340 0170 0000

Size in mm

For information regarding materials, colours, drawings and the use of our items, please refer to pages 124/125.

You might also be interested in the following products: GPN 300 F, GPN 500, GPN 600