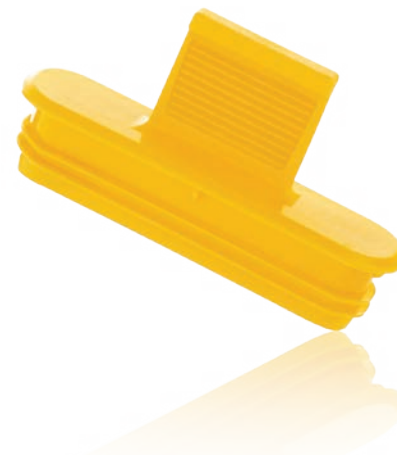
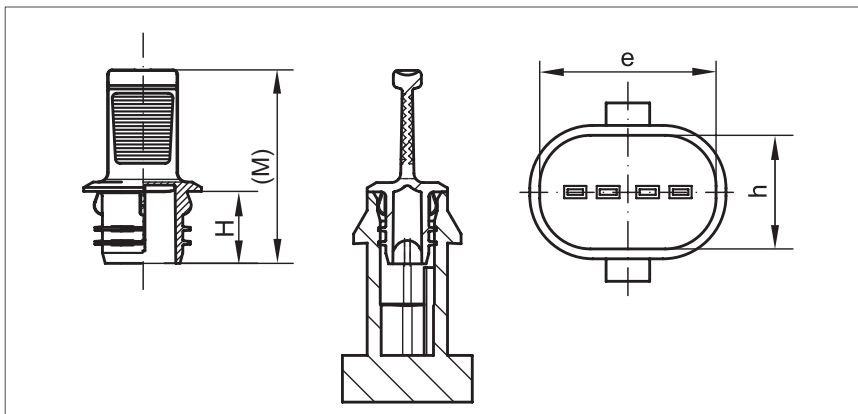


Contact Protection GPN 360 Type A



Suitable for internal contour		Dimensions		Order no.
e	h	H	(M)	
9.80	5.80	7.7	20.7	360 KS 1006
13.80	5.80	7.7	20.7	360 KS 1406
19.50	7.15	7.7	20.7	360 KS 2008
20.20	9.87	7.7	20.7	360 KS 2009
23.15	7.15	7.7	20.7	360 KS 2408
27.15	7.15	7.7	20.7	360 KS 2808
31.20	12.10	7.5	20.5	360 KS 3112
35.15	7.15	7.7	20.7	360 KS 3608
36.20	14.50	7.7	20.7	360 KS 3715
39.10	11.80	8.0	21.0	360 KS 3912
41.90	17.90	7.7	20.7	360 KS 4117
42.80	17.70	7.7	20.7	360 KS 4217

Size in mm

Colour and material alternatives, additional sizes, bespoke designs and technical cleanliness on request. For more information about materials, colours, drawings and application of our items, please see page 114/115.



Grip Plugs

Application Guide

Suitable for contact connectors												Order no.
MLK 1.2 AK Pole number						SLK 2.8 VDA Pole number			MAK 12 Pole number			
2	3	4	5	6	8	12	16	2	3	4	2	
●												360 KS 1006
	●											360 KS 1406
		●										360 KS 2008
			●									360 KS 2408
					●							360 KS 2808
						●						360 KS 3112
							●					360 KS 3608
											●	360 KS 3715
								●				360 KS 3912

The contact Protection GPN 360 has been developed for special compact connector sockets listed in the application table. The contact protection also matches other connector sockets.

>> You also might be interested in the following products: GPN 211, GPN 365

Your KAPSTO® quality benefits:



Standard protection: Protection for compact connector sockets, e.g MLK, SLK and MAK.



Time-saving: Practical tab for easy removal.



Leak-proof: Prevents penetration of liquids within certain limits.



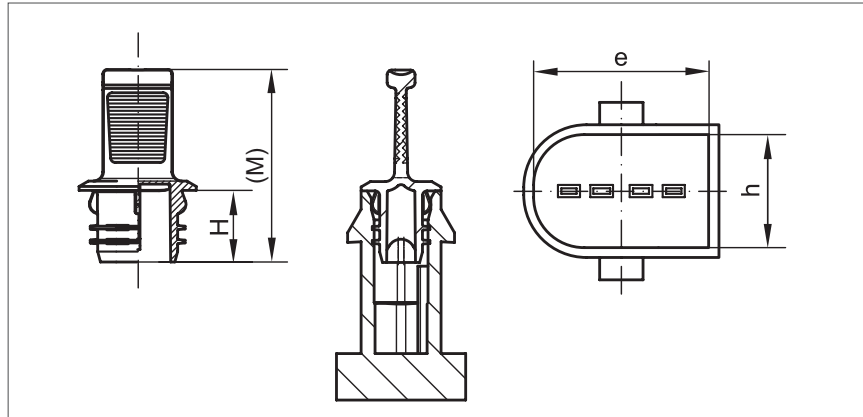
Technical cleanliness: Production in accordance with VDA Band 19 and ISO 16232 in our specially equipped cleanroom on request. For more information, please see page 116/117.



Additional information: Also suitable for oval apertures. Circumferential ribs for perfect design fit.

Material: PE-LLD
Colour: Yellow

Contact Protection GPN 360 Type B



Suitable for internal contour		Dimensions		Order no.
e	h	H	(M)	
17.48	11.48	7.7	20.7	360 KS 1812
22.48	11.48	7.7	20.7	360 KS 2312
27.48	11.48	7.7	20.7	360 KS 2812

Size in mm

Colour and material alternatives, additional sizes, bespoke designs and technical cleanliness on request. For more information about materials, colours, drawings and application of our items, please see page 114/115.

Your KAPSTO® quality benefits:



Standard protection:

Protection for compact connector sockets, e.g MLK, SLK and MAK.



Time-saving:

Practical tab for easy removal.



Leak-proof:

Prevents penetration of liquids within certain limits.



Technical cleanliness:

Production in accordance with VDA Band 19 and ISO 16232 in our specially equipped cleanroom on request. For more information, please see page 116/117.



Additional information: Also suitable for oval apertures. Circumferential ribs for perfect design fit.

Material: PE-LLD

Colour: Yellow

Application Guide

Suitable for contact connectors										Order no.
MLK 1.2 AK Pole number					SLK 2.8 VDA Pole number			MAK 12 Pole number		
2	3	4	5	6	8	2	3	4	2	
						●				360 KS 1812
							●			360 KS 2312
								●		360 KS 2812

The contact Protection GPN 360 has been developed for special compact connector sockets listed in the application table. The contact protection also matches other connector sockets.

>> You also might be interested in the following products: GPN 211, GPN 365



PÖPPELMANN

We will be happy to advise you: +49 4442 982-9166

KAPSTO®