

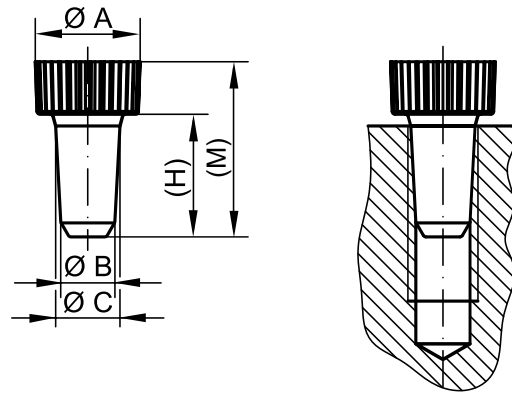
SCREW-IN PLUGS

GPN 550

Free test samples:

+49 4442 982-9100

poeppele.com/en/gpn550

**Standard colour:** Yellow**Material:** PE-LDSuitable for
external

Dimensions

item	Thread	A	B	C	(H)	(M)	Order no.
GPN 550 / 002	M 2	7	1.3	2	7	14	550 0002 0000
GPN 550 / 003	M 3	7	2.1	3	12	19	550 0003 0000
GPN 550 / 004	M 4	8	2.8	4	15	22	550 0004 0000
GPN 550 / 005	M 5	9	3.6	5	18	27	550 0005 0000
GPN 550 / 006	M 6	11	4.3	5.8	18	27	550 0006 0000
GPN 550 / 007	M 7	11	5	6.5	18	27	550 0007 0000
GPN 550 / 008	M 8	14	6	7.5	18	27	550 0008 0000
GPN 550 / 009	M 9	14	6.5	8.5	18	27	550 0009 0000
GPN 550 / 010	M 10	16	7.6	9.3	21	30	550 0010 0000
GPN 550 / 012	M 12	18	9.3	11	21	30	550 0012 0000

Size in mm

For information regarding materials, colours, drawings and the use of our items, please refer to pages 124/125.

You might also be interested in the following products: GPN 551, GPN 605, GPN 700

**More robust.**

Thick-walled shaft for increased demands.

**More versatile.**

Tapered plug to accommodate tolerances.

**Better.**

Self-tapping plug for tight closure of threads or bore holes. Ideal for painting processes.