

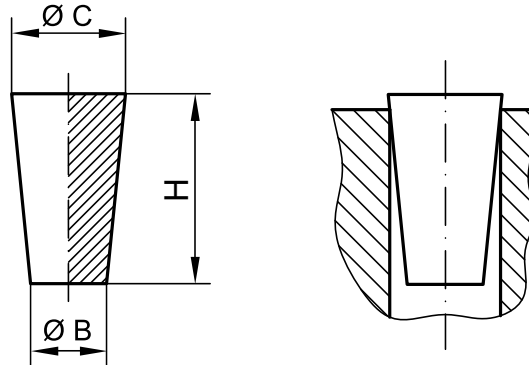
TAPERED PLUGS

GPN 605

Free test samples:

+49 4442 982-9100

poeppele.com/en/gpn605



Standard colour: Natural

Material: SI

**Higher temperature resistance.**

Extremely heat resistant up to 250°C. More details: page 125, "Physical properties".

**More robust.**

Solid design for increased demands.

**More versatile.**

The tapered design is ideal for accommodating large tolerances.

**Better.**

Suitable for closing off apertures, bore holes and internal threads.

Dimensions

item	B	C	H	Order no.
GPN 605 / 0832	0.8	3.2	16	605 0832 0000
GPN 605 / 1632	1.6	3.2	16	605 1632 0000
GPN 605 / 1648	1.6	4.8	16	605 1648 0000
GPN 605 / 3263	3.2	6.3	19	605 3263 0000
GPN 605 / 4887	4.8	8.7	16	605 4887 0000
GPN 605 / 6395	6.3	9.5	19	605 6395 0000
GPN 605 / 6312	6.3	9.5	13	605 6312 0000
GPN 605 / 9012	9	12	18	605 9012 0000
GPN 605 / 1015	10	15	25	605 1015 0000
GPN 605 / 1317	13	17	25	605 1317 0000
GPN 605 / 1419	14	19	25	605 1419 0000
GPN 605 / 1620	16	20	25	605 1620 0000
GPN 605 / 1824	18	24	25	605 1824 0000
GPN 605 / 2026	20	26	25	605 2026 0000
GPN 605 / 2327	23	27	25	605 2327 0000
GPN 605 / 2428	24	28	25	605 2428 0000
GPN 605 / 2632	26	32	25	605 2632 0000
GPN 605 / 2734	27	34	25	605 2734 0000
GPN 605 / 3037	30	37	25	605 3037 0000
GPN 605 / 3139	31	39	25	605 3139 0000
GPN 605 / 3341	33	41	25	605 3341 0000
GPN 605 / 3643	36	43	25	605 3643 0000
GPN 605 / 3745	37	45	25	605 3745 0000
GPN 605 / 3846	38	46	25	605 3846 0000
GPN 605 / 4250	42	50	25	605 4250 0000
GPN 605 / 4553	45	53	25	605 4553 0000
GPN 605 / 4856	48	56	25	605 4856 0000
GPN 605 / 6275	62	75	35	605 6275 0000

Size in mm

Flash and foreign particles are permitted for these items. We recommend that you carry out functional tests before series production.

For more information about the application of our items, please refer to pages 124/125.

You might also be interested in the following products: GPN 607, GPN 610, GPN 615, GPN 620