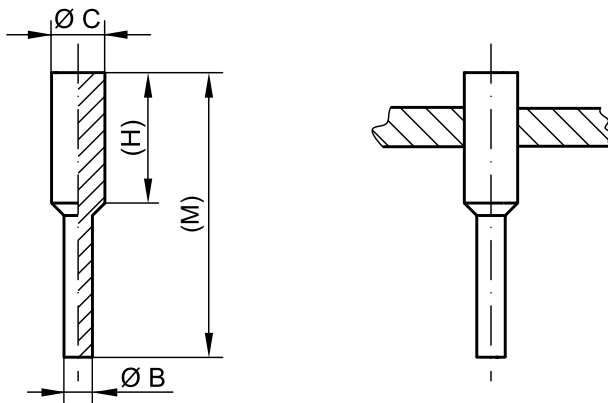


PULL PLUGS

# GPN 606

Free test samples:

+49 4442 982-9100

[poeppelmann.com/en/gpn606](http://poeppelmann.com/en/gpn606)


## Dimensions

item	B	C	(H)	(M)	Order no.
GPN 606 / 0033	2.4	3.3	15.9	32.3	606 0033 0000
GPN 606 / 0041	2.5	4.1	15.9	31.5	606 0041 0000
GPN 606 / 0055	3.3	5.5	25.4	51.4	606 0055 0000
GPN 606 / 0070	3.2	7	23.8	47.6	606 0070 0000
GPN 606 / 0085	3.9	8.5	25.4	53.2	606 0085 0000
GPN 606 / 0095	4	9.5	25.4	51.2	606 0095 0000
GPN 606 / 0104	4.9	10.4	25.6	53.8	606 0104 0000
GPN 606 / 0126	6.4	12.6	25.4	53.8	606 0126 0000
GPN 606 / 0163	9.5	16.3	25.4	54.5	606 0163 0000
GPN 606 / 0178	9.5	17.8	31.8	56.4	606 0178 0000
GPN 606 / 0196	9.5	19.6	25.4	56.3	606 0196 0000

Size in mm

For more information about the application of our items, please refer to pages 124/125.

Standard colour: Natural

Material: SI



### Saves time.

With pull tab Ø B for easy fitting and removal.



### Higher temperature resistance.

Extremely heat resistant up to 250°C. More details: page 125, "Physical properties".



### More robust.

Solid design for increased demands.



### Better.

Suitable for through holes with or without thread. Ø C closes off, Ø B is used as pull tab.

## Application Guide

### Metric threads

Standard thread	Finde thread	Pipe thread	item		
M 4			GPN 606 / 0033		
M 5			GPN 606 / 0041		
M 6			GPN 606 / 0055		
M 8	M 8 × 1	G 1/16	GPN 606 / 0070		
M 10	M 9 × 1		GPN 606 / 0085		
	M 10 × 1	G 1/8	GPN 606 / 0095		
M 11			GPN 606 / 0095		
M 12	M 11 × 1	M 12 × 1.5	GPN 606 / 0104		
M 14	M 13 × 1	M 14 × 1.5	GPN 606 / 0126		
M 18	M 16 × 1	M 17 × 1	M 18 × 2	G 3/8	GPN 606 / 0163
M 20	M 18 × 1	M 19 × 1.5		GPN 606 / 0178	
M 22	M 20 × 1	M 20 × 1.5	G 1/2	GPN 606 / 0196	

This application table is a guide only. We will be happy to send you free samples for testing. For apertures and bore holes without thread, please use dimensions B and C.

Flash and foreign particles are permitted for these items. We recommend that you carry out functional tests before series production.

You might also be interested in the following products: GPN 255, GPN 551, GPN 605, GPN 607



PÖPPELMANN

KAPSTO®