

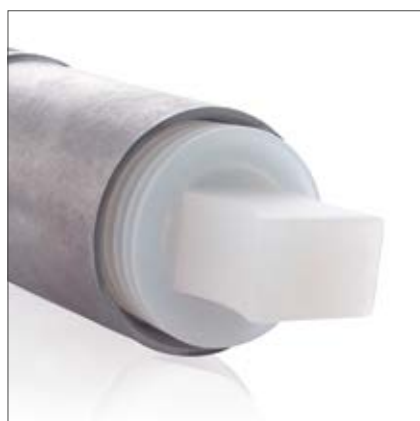
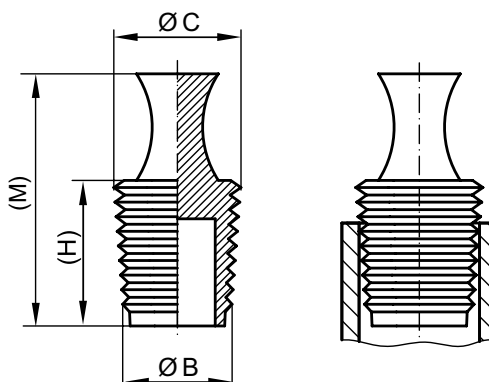
## GRIP PLUGS

## GPN 607

Free test samples:

+49 4442 982-9100

poeppele.com/en/gpn607



## Dimensions

item	B	C	(H)	(M)	Order no.
GPN 607 / 0204	2	4	19.5	35.2	607 0204 0000
GPN 607 / 0406	4	6	25.4	43.2	607 0406 0000
GPN 607 / 0608	6	8	25.4	43.1	607 0608 0000
GPN 607 / 0810	8	10.5	25.4	43	607 0810 0000
GPN 607 / 1012	9.8	11.5	25.4	43.5	607 1012 0000
GPN 607 / 1214	11.9	14.5	25.4	42.5	607 1214 0000
GPN 607 / 1416	14	16	25.4	42.5	607 1416 0000
GPN 607 / 1618	16	18	25.4	42.5	607 1618 0000
GPN 607 / 1820	18	20	26	43	607 1820 0000
GPN 607 / 2022	20	22.5	25.4	43	607 2022 0000
GPN 607 / 2224	22.5	24	25.4	43	607 2224 0000
GPN 607 / 2426	24	26	25.4	43	607 2426 0000
GPN 607 / 2628	25.7	28	25.4	43	607 2628 0000
GPN 607 / 2832	28.6	32	25.4	43.8	607 2832 0000

Size in mm

For more information about the application of our items, please refer to pages 124/125.

Standard colour: Natural

Material: SI

**Saves time.**

Practical tab for easy removal.

**More versatile.**

The tapered design is ideal for accommodating large tolerances.

**Higher temperature resistance.**

Heat resistant to approx. 250 °C. More details: page 125 "Physical properties".

**Seals better.**

Circumferential ribs are providing limited sealing action against an ingress or outflow of fluids.

**Better.**

Suitable for bore holes and internal threads. Particularly suitable for painting.

## Application Guide

## Metric threads

Standard thread	Finde thread	Pipe thread	Unified Thread pursuant to ASME / ANSI B 1.1 UN / UNC / UNF / UNEF	item
M 4				GPN 607 / 0204
M 6	M 6 × 0.75			GPN 607 / 0406
M 8	M 8 × 1		5/16	GPN 607 / 0608
M 10	M 10 × 1	1/8	3/8	GPN 607 / 0810
M 12	M 12 × 1 M 12 × 1.5		7/16	GPN 607 / 1012
M 14	M 14 × 1.5	1/4	1/2	GPN 607 / 1214
M 16	M 14 × 1 M 16 × 1 M 16 × 1.5	3/8	9/16 5/8	GPN 607 / 1416
M 18	M 18 × 1 M 18 × 1.5		3/4	GPN 607 / 1618
M 20	M 20 × 1.5	1/2		GPN 607 / 1820
M 22	M 22 × 1.5	1/2 5/8	7/8	GPN 607 / 2022
M 24	M 24 × 1.5 M 24 × 2		1	GPN 607 / 2224
M 26	M 26 × 1.5	3/4	1 1/16	GPN 607 / 2426
M 28 M 30	M 28 × 1.5 M 28 × 2			GPN 607 / 2628
M 32	M 30 × 1.5 M 32 × 1.5 M 32 × 2	7/8		GPN 607 / 2832

This application table is a guide only. We would be happy to send you free samples for testing. For apertures and bore holes without thread, please use dimensions B and C.

Flash and foreign particles are permitted for these items. We recommend that you carry out functional tests before series production.

You might also be interested in the following products:

GPN 310, GPN 330, GPN 605, GPN 606, GPN 608