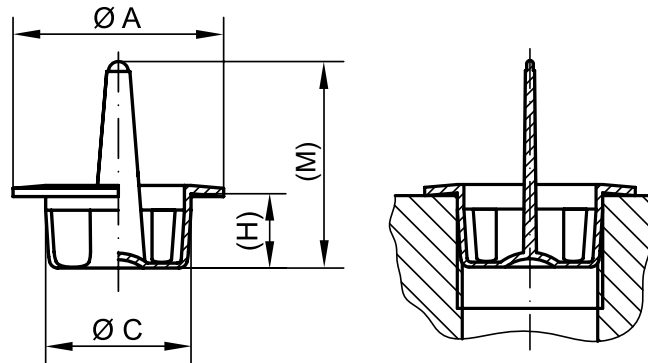


GRIP PLUGS

# GPN 630

Free test samples:

+49 4442 982-9100  
poeppelmann.com/en/gpn630**Standard colour:** Black**Material:** TPE (plasticiser-free)**Saves time.**

With removal grip for fast removal.

**Higher temperature resistance.**

Heat resistant to 150 °C. More details: page 125, "Physical properties".

**Better.**

Plugs are designed to turn inside out during low abrasion removal.

### Dimensions

item	A	C	(H)	(M)	Order no.
GPN 630 M 8 × 1	15,5	7,5	9	23	630 0810 0000
GPN 630 M 10 × 1	17,5	9,5	8	22,8	630 1010 0000
GPN 630 M 12 × 1	19,5	11,5	9	23,5	630 1210 0000
GPN 630 M 14 × 1,5	21,5	13,5	9	23,8	630 1415 0000
GPN 630 M 16 × 1,5	23,5	15,5	9	23,8	630 1615 0000
GPN 630 M 18 × 1,5	25,5	17,6	9	25	630 1815 0000
GPN 630 M 20 × 1,5	27,5	19,5	9	25	630 2015 0000
GPN 630 M 22 × 1,5	29,5	21,5	9	25	630 2215 0000
GPN 630 M 24 × 1,5	28,5	23,5	9	25	630 2415 0000

Size in mm

For information regarding materials, colours, drawings and the use of our items, please refer to pages 124/125.

## Application Guide

### Metric threads

Standard thread	Finde thread	Unified Thread pursuant to ASME / ANSI B 1.1 UN / UNC / UNF / UNEF	item
M 8	M 8 × 1	5/16	GPN 630 M 8 × 1
	M 10 × 1	3/8	GPN 630 M 10 × 1
	M 12 × 1	1/2	GPN 630 M 12 × 1
	M 12 × 1.25		
	M 12 × 1.5	9/16	GPN 630 M 14 × 1.5
	M 13 × 1		
	M 14 × 1.5	5/8	GPN 630 M 16 × 1.5
	M 16 × 1.5		
	M 17 × 2	11/16	GPN 630 M 18 × 1.5
	M 18 × 1.5		
	M 19 × 2		
	M 20 × 1		GPN 630 M 20 × 1.5
	M 20 × 1.5		
	M 22 × 1	7/8	GPN 630 M 22 × 1.5
	M 22 × 1.5		
	M 24 × 1.5	15/16	GPN 630 M 24 × 1.5
	M 25 × 2		

This application table is a guide only. We will be happy to send you free samples for testing. For apertures and bore holes without thread, please use dimensions B and C.

You might also be interested in the following products: [GPN 305](#), [GPN 615](#)