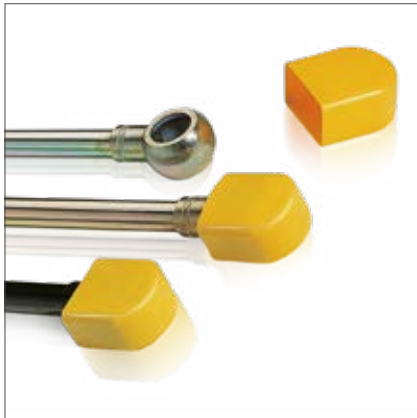
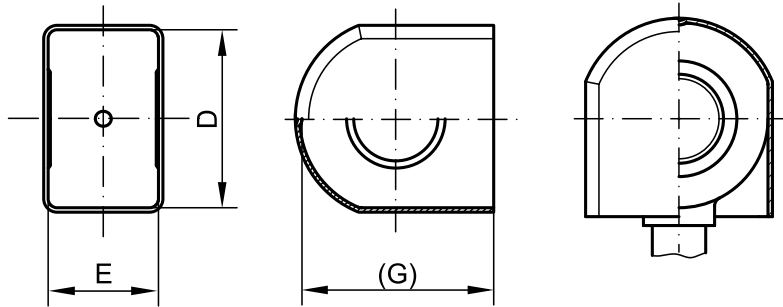


PROTECTIVE COVERS

GPN 695

Free test samples:

+49 4442 982-9100

poeppele.com/en/gpn695

item	Suitable for ring connections	Dimensions			Order no.
	DIN 7642 B/E pipe outside diameter	D	E	(G)	
GPN 695 BE 6	6	17	9.8	19.6	695 0006 0000
GPN 695 BE 8	8	20	11.6	23.5	695 0008 0000
GPN 695 BE 10	10	24	13.8	27.6	695 0010 0000
GPN 695 BE 12	12	28	15.8	31.2	695 0012 0000
GPN 695 BE 15	15	32.2	19.6	35.3	695 0015 0000
GPN 695 BE 18	18	40	24.8	43	695 0018 0000

Size in mm

For information regarding materials, colours, drawings and the use of our items, please refer to pages 124/125.

You might also be interested in the following product: [GPN 211](#)

Standard colour: Yellow

Material: PE-HD

**Better fit.**

Suitable for ring fittings pursuant to DIN 7642 Shape B and E.

**Better.**

The internal clamping ring is centered in the ring opening of the hollow screw, thereby preventing an ingress of dirt. Also suitable for non-standard ring-type nipples.