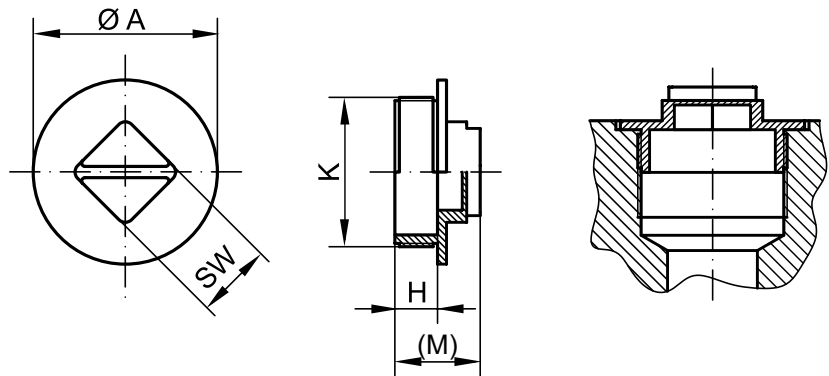


SCREW PLUGS

GPN 710

Free test samples:

+49 4442 982-9100
poeppele.com/en/gpn710**Standard colour:** Black**Material:** PP**Better.**

With collar and slotted square head, for installation using a spanner or screwdriver.

item	Suitable for external	Dimensions				Order no.
	Thread K	A	H	(M)	Spanne width (width across flat)	
GPN 710 G 1/8	G 1/8	13	7	13	9	710 8134 0000
GPN 710 G 1/4*	G 1/4	16	7	13	9	710 0564 0000
GPN 710 G 3/8	G 3/8	21	7	15	12	710 8135 0000
GPN 710 G 1/2	G 1/2	27	9	19	13	710 4988 0000
GPN 710 G 3/4	G 3/4	34	7	17	14	710 8136 0000
GPN 710 G 1	G 1	41	9.5	19	17	710 8137 0000
GPN 710 G 1 1/4	G 1 1/4	52	9.5	21	19	710 8138 0000
GPN 710 G 1 1/2	G 1 1/2	60	12	25	24	710 8139 0000
GPN 710 G 2	G 2	72	12	25	27	710 8140 0000

Size in mm

For information regarding materials, colours, drawings and the use of our items, please refer to pages 124/125.

*Head without slot.

You might also be interested in the following products: GPN 700, GPN 738