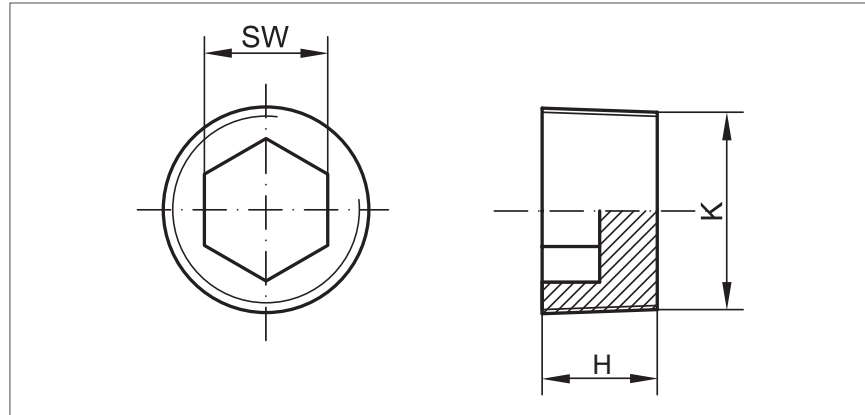


Screw Plugs

GPN 720 Type A



Suitable for thread K	Dimensions			Order no.
	H	Spanner width inch	Spanner width metric	
1/8 - 27 NPT	8.5		5	720 / 1766
1/4 - 18 NPT	12.5	1/4		720 / 1602
1/4 - 18 NPT	12.5		6	720 / 1767
3/8 - 18 NPT	13.0	5/16	8	720 / 1601
1/2 - 14 NPT	16.5	3/8		720 / 1600
1/2 - 14 NPT	16.5		10	720 / 1768
3/4 - 14 NPT	17.0	9/16		720 / 1599
3/4 - 14 NPT	17.0		14	720 / 1769
1 - 11 1/2 NPT	21.2	5/8		720 / 1598
1 - 11 1/2 NPT	21.2		17	720 / 1770
1 1/4 - 11 1/2 NPT	22.0	3/4	19	720 / 1597
1 1/2 - 11 1/2 NPT	22.5	53/64		720 / 1596
1 1/2 - 11 1/2 NPT	22.5		22	720 / 1771
M 16	16.0		8	720 / 0052
M 30	22.5		19	720 / 8016

Your KAPSTO® quality benefits:



Robust:
Thick-walled type
for higher loads.



Additional information:
Immersible screw plug with
hexagonal socket.

Material: PE-LD

Colour: Yellow

Size in mm

Colour and material alternatives, additional sizes, bespoke designs and technical cleanliness on request. For more information about materials, colours, drawings and application of our items, please see page 114/115.

>> You also might be interested in the following products: GPN 300 V, GPN 310, GPN 600



PÖPPELMANN

We will be happy to advise you: +49 4442 982-9166

KAPSTO®