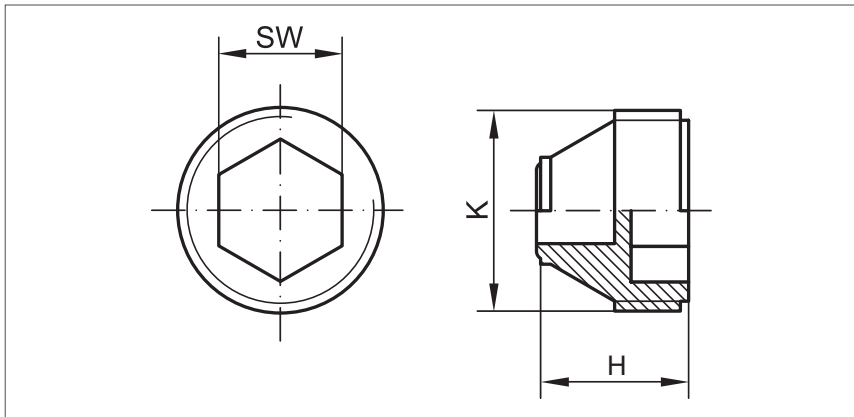


Screw Plugs

GPN 720 Type B



Suitable for thread K	Dimensions		Order no.
	H	Spanner width metric	
M 10 x 1	11.2	5	720 / 9463
M 16 x 1.5	14.0	8	720 / 0232
M 18 x 1.5	13.3	10	720 / 1763
M 20 x 1.5	17.4	13	720 / 1668

Size in mm

Colour and material alternatives, additional sizes, bespoke designs and technical cleanliness on request. For more information about materials, colours, drawings and application of our items, please see page 114/115.

>> You also might be interested in the following products:
GPN 300 V, GPN 310, GPN 600, GPN 700



Your KAPSTO® quality benefits:



Leak-proof: Provides limited sealing action against an ingress or outflow of fluids.



Additional information: Immersible screw plug with hexagonal socket.

Material: PE-LD
Colour: Yellow