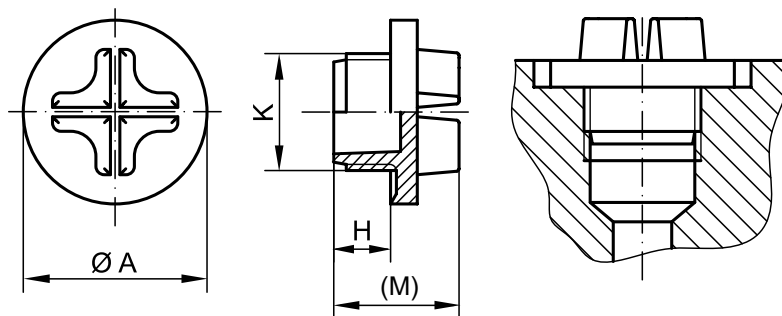


SEALING SCREW PLUGS

GPN 730

for metric threads (DIN 13)

Free test samples:

+49 4442 982-9100
poeppelemann.com/en/gpn730**Standard colour:** Black**Material:** PE-HD

GPN 730

with Pipe threads (DIN EN ISO 228-1)

Standard colour: Black**Material:** PA 6.6**Seals better.**

Sealing lip (no mould-parting feature) prevents the penetration or leaking of liquids, depending on the application.

**More robust.**

Imperial screw-plugs are made of robust PA 6.6 for increased demands.

**Better.**

Installation by way of screwdriver, or of machine with special wrench.

Suitable for external

Dimensions

item	Thread K	A	H	(M)	Order no.
GPN 730 M 10 × 1	M 10 × 1	18	6.8	15	730 1010 0000
GPN 730 M 12 × 1.5	M 12 × 1.5	20	6.8	15	730 1215 0000
GPN 730 M 14 × 1.5	M 14 × 1.5	22	6.8	15	730 1415 0000
GPN 730 M 16 × 1.5	M 16 × 1.5	22	6.8	15	730 1615 0000
GPN 730 M 18 × 1.5	M 18 × 1.5	25.7	8	16.5	730 1815 0000
GPN 730 M 22 × 1.5	M 22 × 1.5	29.3	10	21.5	730 2215 0000
GPN 730 M 26 × 1.5	M 26 × 1.5	34.8	8	19.5	730 2615 0000
GPN 730 M 27 × 2	M 27 × 2	34.8	8	19.5	730 2720 0000
GPN 730 M 33 × 2	M 33 × 2	39.5	6	17.3	730 3320 0000

Size in mm

For information regarding materials, colours, drawings and the use of our items, please refer to pages 124/125.

Suitable for external

Dimensions

item	Thread K	A	H	(M)	Order no.
GPN 730 G 1/4	G 1/4	16.5	8	16	730 7124 0000
GPN 730 G 3/8	G 3/8	20	10	19	730 6723 0000
GPN 730 G 1/2	G 1/2	25	13	23.8	730 6649 0000
GPN 730 G 3/4	G 3/4	31	19	29.8	730 7398 0000

Size in mm

For information regarding materials, colours, drawings and the use of our items, please refer to pages 124/125.

You might also be interested in the following products: GPN 700, GPN 738