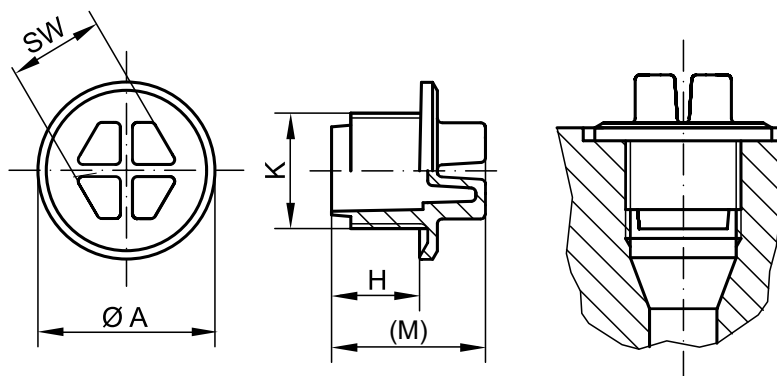


SEALING SCREW PLUGS

GPN 735

Free test samples:

+49 4442 982-9100

poeppele.com/en/gpn735


Standard colour: Yellow

Material: PA 6



Better fit.

For plugging screw holes acc. to DIN 3852-1, DIN ISO 6149-1.



Seals better.

The circumferential sealing lip (no mould-parting feature) prevents the penetration or leaking of liquids depending on the application.



More robust.

Made from premium, impact-resistant polyamide.



Better.

Installation either with screw driver or spanner. Particularly suitable for processes like cleaning, testing, painting or for transport.

Suitable for external

Dimensions

item	Thread K	Dimensions				Order no.
		A	H	(M)	Spanne width (width across flat)	
GPN 735 M 8 × 1	M 8 × 1	12.2	8	15	7	735 0810 0000
GPN 735 M 10 × 1	M 10 × 1	14.2	8	15	7	735 1010 0000
GPN 735 M 12 × 1.5	M 12 × 1.5	17.2	11	18	10	735 1215 0000
GPN 735 M 14 × 1.5	M 14 × 1.5	19.2	11	19	10	735 1415 0000
GPN 735 M 16 × 1.5	M 16 × 1.5	22	11	21	13	735 1615 0000
GPN 735 M 18 × 1.5	M 18 × 1.5	24	11	21	13	735 1815 0000
GPN 735 M 20 × 1.5	M 20 × 1.5	26	11	21	15	735 2015 0000
GPN 735 M 22 × 1.5	M 22 × 1.5	27.2	11	21	15	735 2215 0000
GPN 735 M 24 × 1.5	M 24 × 1.5	31.5	12	22	15	735 2415 0000
GPN 735 M 26 × 1.5	M 26 × 1.5	32	13.5	23.5	19	735 2615 0000
GPN 735 M 27 × 2	M 27 × 2	32.3	11	21	19	735 2720 0000
GPN 735 M 33 × 2	M 33 × 2	40.4	13.5	23.5	24	735 3320 0000
GPN 735 M 42 × 2	M 42 × 2	50	13.5	24.5	24	735 4220 0000
GPN 735 M 48 × 2	M 48 × 2	55.4	13.5	24.5	30	735 4820 0000
GPN 735 M 60 × 2	M 60 × 2	68.5	13.5	24.5	30	735 6020 0000
GPN 735 G 1/4	G 1/4	19.2	7.5	15	10	735 0658 0000
GPN 735 G 3/8	G 3/8	22.2	7.5	17.5	13	735 0659 0000
GPN 735 G 1/2	G 1/2	27.2	9.5	19.5	15	735 0660 0000
GPN 735 G 3/4	G 3/4	32.3	9.5	19.5	19	735 0661 0000
GPN 735 G 1	G 1	40	11.5	21.5	24	735 0662 0000
GPN 735 G 1 1/4	G 1 1/4	50.4	11.5	22.5	24	735 0663 0000
GPN 735 G 1 1/2	G 1 1/2	55.4	11.5	22.5	30	735 0664 0000
GPN 735 9/16 - 18 UNF	9/16 - 18 UNF	17.8	11	18	10	735 2442 0000

Size in mm

For information regarding materials, colours, drawings and the use of our items, please refer to pages 124/125.

You might also be interested in the following products: GPN 551, GPN 700, GPN 737



Faster. With the BIT-73X.

The BIT-73X assembly tool facilitates the installation of all sizes of sealing plugs of the standard series GPN 735, 736, 737 and 738.

For further information, please refer to page 110.