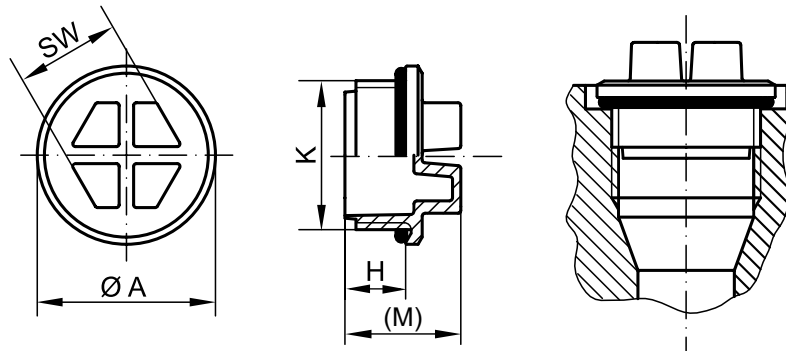


SEALING SCREW PLUGS WITH O-RING

GPN 737

Watch the film now:
poeppelmann.com/en/gpn737



Standard colour: Yellow
Material: PA 6

**Better fit.**

Suitable for internal threads in accordance with DIN 3852-1, DIN ISO 6149-1.

**Seals better.**

The circumferential sealing lip (no mould-parting feature) and the O-ring prevent the penetration or leaking of liquids depending on the application.

**More robust.**

Made from premium, impact-resistant polyamide.

**Better.**

Has the same characteristics as GPN 735, but with an additional O-ring – for stricter demands on leak tightness (e.g. unprocessed sealing surfaces, high process temperatures, long process times and higher pressure inside the component).



item	Suitable for external	Dimensions				Order no.
	Thread K	A	H	(M)	Spanne width (width across flat)	
GPN 737 M 8 × 1	M 8 × 1	12.2	8	15	6	737 0810 0000
GPN 737 M 10 × 1	M 10 × 1	14.2	8	15	7	737 1010 0000
GPN 737 M 12 × 1.5	M 12 × 1.5	17.2	11	18	10	737 1215 0000
GPN 737 M 14 × 1.5	M 14 × 1.5	19.2	11	19	10	737 1415 0000
GPN 737 M 16 × 1.5	M 16 × 1.5	22	11	21	13	737 1615 0000
GPN 737 M 18 × 1.5	M 18 × 1.5	24	11	21	13	737 1815 0000
GPN 737 M 20 × 1.5	M 20 × 1.5	26	11	21	15	737 2015 0000
GPN 737 M 22 × 1.5	M 22 × 1.5	27.2	11	21	15	737 2215 0000
GPN 737 M 24 × 1.5	M 24 × 1.5	31.5	12	22	15	737 2415 0000
GPN 737 M 26 × 1.5	M 26 × 1.5	32	13.5	23.5	19	737 2615 0000
GPN 737 M 27 × 2	M 27 × 2	32.3	11	21	19	737 2720 0000
GPN 737 M 33 × 2	M 33 × 2	40.4	13.5	23.5	24	737 3320 0000
GPN 737 M 42 × 2	M 42 × 2	50	13.5	24.5	24	737 4220 0000
GPN 737 M 48 × 2	M 48 × 2	55.4	13.5	24.5	30	737 4820 0000
GPN 737 M 60 × 2	M 60 × 2	68.5	13.5	24.5	30	737 6020 0000
GPN 737 G 1	G 1	40	11.5	21.5	24	737 0662 0000
GPN 737 G 1 1/2	G 1 1/2	55.4	11.5	22.5	30	737 0664 0000
GPN 737 G 1 1/4	G 1 1/4	50.4	11.5	22.5	24	737 0663 0000
GPN 737 G 1/2	G 1/2	27.2	9.5	19.5	15	737 0660 0000
GPN 737 G 1/4	G 1/4	19.2	7.5	15	10	737 0658 0000
GPN 737 G 3/4	G 3/4	32.3	9.5	19.5	19	737 0661 0000
GPN 737 G 3/8	G 3/8	22.2	7.5	17.5	13	737 0659 0000
GPN 737 9/16 - 18 UNF	9/16 - 18 UNF	17.8	11	18	10	737 2442 0000

Size in mm

For information regarding materials, colours, drawings and the use of our items, please refer to pages 124/125.

The engraving equals the GPN 735 standard series.

You might also be interested in the following products: GPN 551, GPN 700, GPN 735

Faster. With the BIT-73X.

The BIT-73X assembly tool facilitates the installation of all sizes of sealing plugs of the standard series GPN 735, 736, 737 and 738.

For further information, please refer to page 110.