

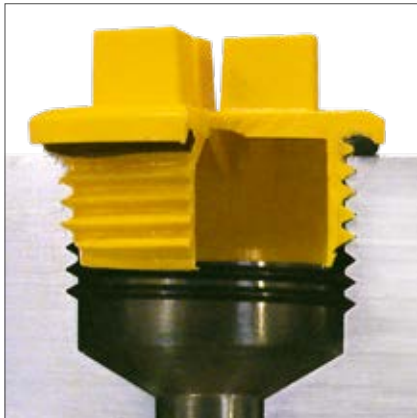
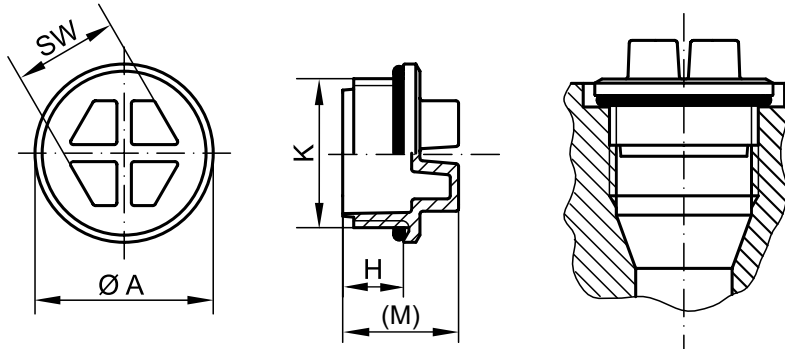
## SEALING SCREW PLUGS WITH O-RING

**GPN 738**

Free test samples:

+49 4442 982-9100

poeppele.com/en/gpn738



Standard colour: Yellow

Material: PA 6

**Better fit.**

Suitable for internal threads in accordance with to DIN 3852-1, ISO 11926.

**Seals better.**

The circumferential sealing lip (no mould-parting feature) and the O-ring prevent the penetration or leaking of liquids depending on the application.

**More robust.**

Made from premium, impact-resistant polyamide.

**Better.**

Has the same characteristics as GPN 736, but with an additional O-ring – for stricter demands on leak tightness (e.g. unprocessed sealing surfaces, high process temperatures, long process times and higher pressure inside the component).

item	Suitable for external Thread K	Dimensions				Order no.
		A	H	(M)	Spanne width (width across flat)	
GPN 738 M 10 × 1	M 10 × 1	15.4	8	15	7	738 1010 0000
GPN 738 M 12 × 1.5	M 12 × 1.5	18.4	9	16	10	738 1215 0000
GPN 738 M 14 × 1.5	M 14 × 1.5	20.4	9	17	10	738 1415 0000
GPN 738 M 16 × 1.5	M 16 × 1.5	23.4	10	20	13	738 1615 0000
GPN 738 M 18 × 1.5	M 18 × 1.5	25.4	11	21	13	738 1815 0000
GPN 738 M 22 × 1.5	M 22 × 1.5	28.4	12	22	15	738 2215 0000
GPN 738 M 27 × 2	M 27 × 2	33.35	15	25	19	738 2720 0000
GPN 738 M 33 × 2	M 33 × 2	42.3	15	25	24	738 3320 0000
GPN 738 M 42 × 2	M 42 × 2	51.3	15	26	24	738 4220 0000
GPN 738 M 48 × 2	M 48 × 2	56.3	17	28	30	738 4820 0000
GPN 738 1 1/16 - 12 UN	1 1/16 - 12 UN	37.85	15	25	19	738 2671 0000
GPN 738 1 5/8 - 12 UN	1 5/8 - 12 UN	55.8	15	26	30	738 2673 0000
GPN 738 1 5/16 - 12 UN	1 5/16 - 12 UN	44.8	15	25	24	738 2672 0000
GPN 738 1 7/8 - 12 UN	1 7/8 - 12 UN	63.3	15	26	30	738 2674 0000
GPN 738 3/4 - 16 UNF	3/4 - 16 UNF	26.9	11	21	13	738 2669 0000
GPN 738 7/8 - 14 UNF	7/8 - 14 UNF	30.4	13	23	15	738 2670 0000
GPN 738 7/16 - 20 UNF	7/16 - 20 UNF	17.4	9	16	10	738 2667 0000
GPN 738 9/16 - 18 UNF	9/16 - 18 UNF	21.4	10	18	10	738 2668 0000

Size in mm

For information regarding materials, colours, drawings and the use of our items, please refer to pages 124/125.

The engraving equals the GPN 736 standard series.

You might also be interested in the following products: GPN 551, GPN 700, GPN 736

**Faster.** With the BIT-73X.

The BIT-73X assembly tool facilitates the installation of all sizes of sealing plugs of the standard series GPN 735, 736, 737 and 738.

For further information, please refer to page 110.