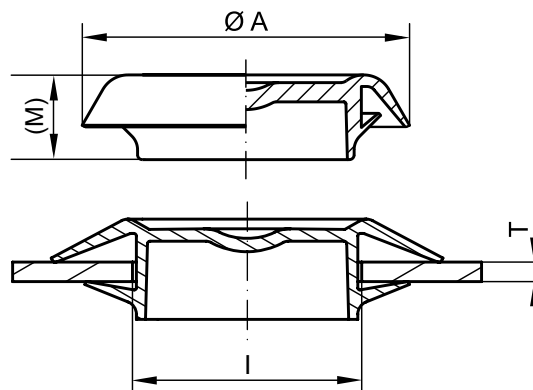


SEALING PLUGS

# GPN 915

Free test samples:

+49 4442 982-9100  
poeppele.com/en/gpn915**Standard colour:** Black**Material:** PHT**Higher temperature resistance.**

Heat resistant to 180 °C. More details: page 125 "Physical properties".

**Seals better.**

Provides limited sealing action against ingress or outflow of fluids.

**More versatile.**

Suitable for various wall thicknesses and diameters.

**Better.**

Ideal for closing of holes in cover panels.

**Suitable for casings****Dimensions**

item	Suitable for casings		Dimensions		Order no.
	Aperture l	Wall thickness T	A	(M)	
GPN 915 / 12	12 - 13	0.5 - 3	20.8	9	915 0012 0000
GPN 915 / 15	15 - 17	0.5 - 3	23.8	8.9	915 0015 0000
GPN 915 / 20	19.5 - 21.5	0.5 - 3	27.9	8.8	915 0020 0000
GPN 915 / 25	25 - 27	0.5 - 3	34	8.6	915 0025 0000
GPN 915 / 30	30 - 31	0.5 - 3	39	8.9	915 0030 0000
GPN 915 / 35	34.5 - 36.5	0.5 - 3	48	11	915 0035 0000
GPN 915 / 50	50 - 52	0.5 - 3	59	8.8	915 0050 0000

Size in mm

For information regarding materials, colours, drawings and the use of our items, please refer to pages 124/125.

You might also be interested in the following products: GPN 300 F, GPN 910

**PÖPPELMANN****KAPSTO®**