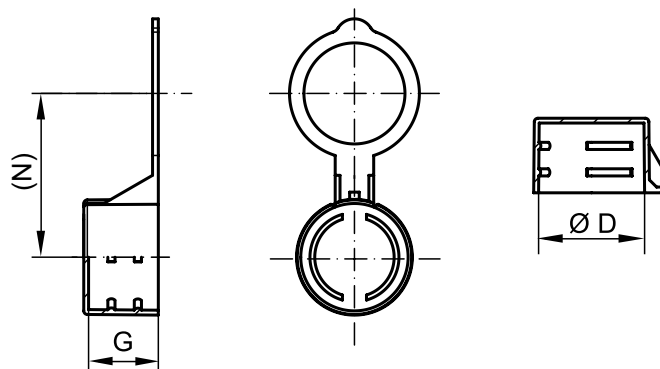


FAST-FIT CAPS

GPN 940

Free test samples:

+49 4442 982-9100

poeppelmann.com/en/gpn940


Standard colour: Yellow

Material: PE-LD

**Better fit.**

Tamper-evident closure for valves pursuant to DIN 477-1.

**Saves time.**

Particularly fast and easy to remove.

**Better.**

With ventilation tab for safe leakage. Also suitable for external threads and studs.

Suitable for external

Dimensions

item	Suitable for external		Dimensions		Order no.
	diameter D	thread	G	(N)	
GPN 940 SV 21.3	21.3	W 21.80 × 1/14	14.5	34	940 0213 0000
GPN 940 SV 23.9	23.9	W 24.32 × 1/14	14.5	35	940 0239 0000
GPN 940 SV 26	26	G 3/4	14.5	36.8	940 0260 0000

Size in mm

For information regarding materials, colours, drawings and the use of our items, please refer to pages 124/125.

You might also be interested in the following products: [GPN 205](#), [GPN 600](#)