

Standard Range: **Corrugated Conduit Adapters, Blind Caps and Terminal Protectors for Plug Connectors.**
Progress for Your Success – Pöppelmann K-TECH®.



K-TECH® Corrugated Conduit Adapters for Bosch Compact Connectors



A safe and protective connection between the plug connector and corrugated conduit.

- Optimum protection of exposed wire harnesses.
- Corrugated conduit can still be rotated after assembly.
- Pull relief for the wire set.
- Enhanced visual appearance of the harness.
- Reliability due to snap-fit adapter attachment.
- Simple and quick installation.

Material: PA 66/6

Colour: black

Temperature resistance: -40 °C to +130 °C

Chemical resistance: fuels, mineral oils, greases, oils and solvents

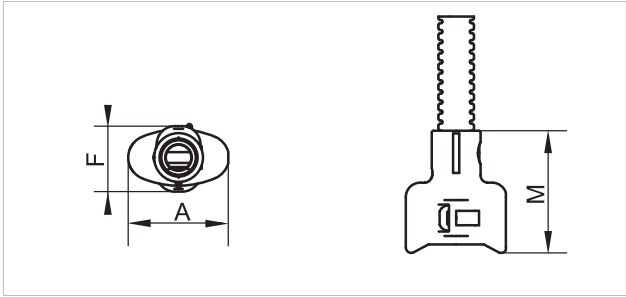
Further information: Bosch No. 1 928 A00 257
– Accessories for Compact and Plug Connectors

Plug			Conduit lead-in position	Dimensions			Order No.
Type	NW	Form		A	F	M	
2-pole	AD 9,3	C	front/rear	17,8	24,6	26,6	11.46188
2-pole	AD 9,3	B	left/right	26,6	16,5	19,7	11.46522
3-pole	AD 9,3	B	left/right	33,0	17,0	18,5	11.46189
4-pole	AD 9,3	A	top	27,9	18,2	34,0	11.46191
4-pole	AD 9,3	B	left/right	38,0	18,0	19,6	11.46190
5-pole	AD 9,3	C	front/rear	33,0	27,5	20,3	11.46423
5-pole	AD 9,3	B	left/right	43,0	18,0	20,4	11.46192

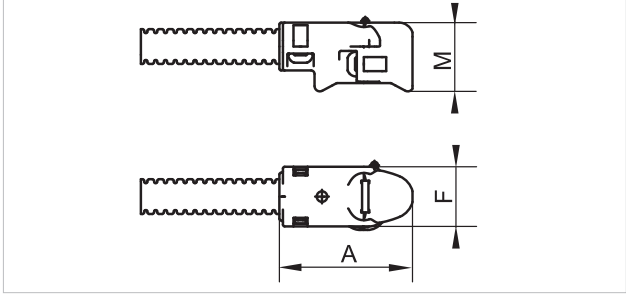
For other dimensions and special designs, please enquire.

We will be happy to advise you: +49 4442 982-6623 k-tech@poeppele.com

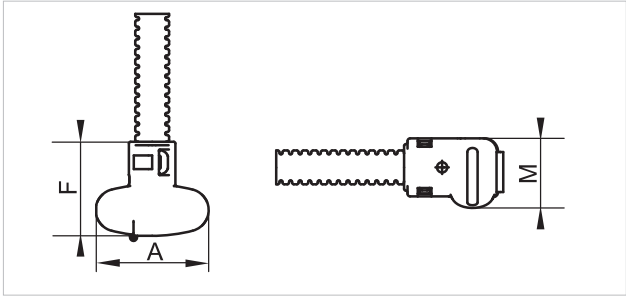
Form A "top"



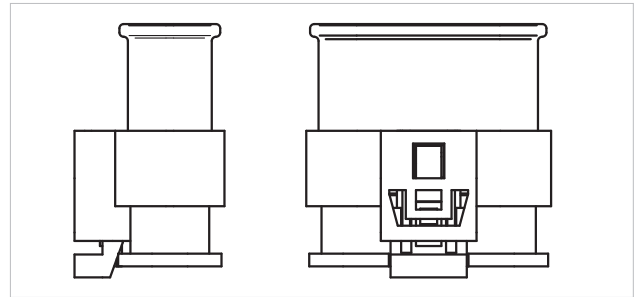
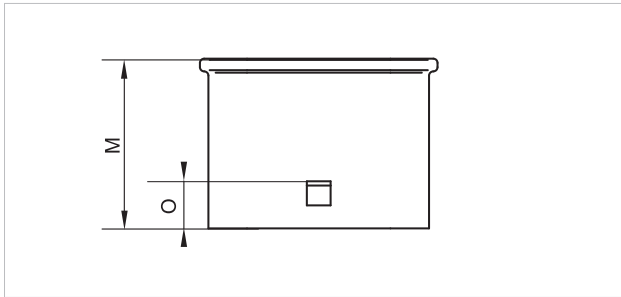
Form B "left/right"



Form C "front/rear"



K-TECH® Blind Caps for MLK 1.2 AK Plug Connector



- Captive, durable protection for plug terminals.
- Easy installation.
- Waterproof (PG 23) according to AK testing line for automotive plug connectors.

Material: PBT GF 20

Colour: black

Temperature resistance: -40 °C to +130 °C

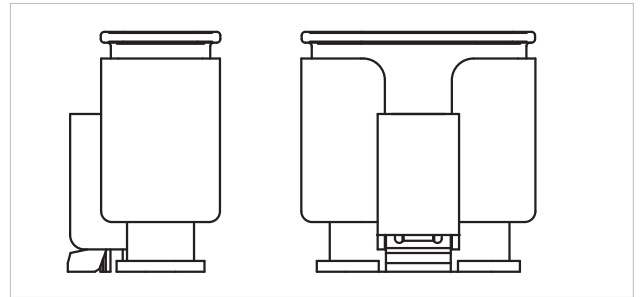
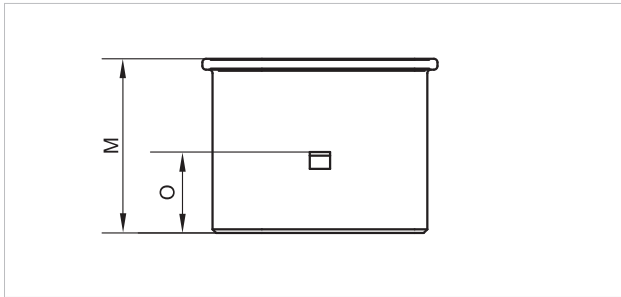
Chemical resistance: fuels, mineral oils, greases, oils and solvents

Plug		Dimensions		Order No.
Type	Plug type	M	O	
2-pole	AK 1.2	20,0	5,5	11.48695
3-pole	AK 1.2	20,0	5,5	11.48993
4-pole	AK 1.2	20,0	5,5	11.48994
5-pole	AK 1.2	20,0	5,5	11.48995
8-pole	AK 1.2	20,0	5,5	11.48996

For other dimensions and special designs, please enquire.

We will be happy to advise you: +49 4442 982-6623 k-tech@poeppele.com

K-TECH® Blind Caps for SLK 2.8 VDA Plug Connector



- Captive, durable protection for plug terminals.
- Easy installation.
- Waterproof (PG 23) according to AK testing line for automotive plug connectors.

Material: PBT GF 20

Colour: black

Temperature resistance: -40 °C to +130 °C

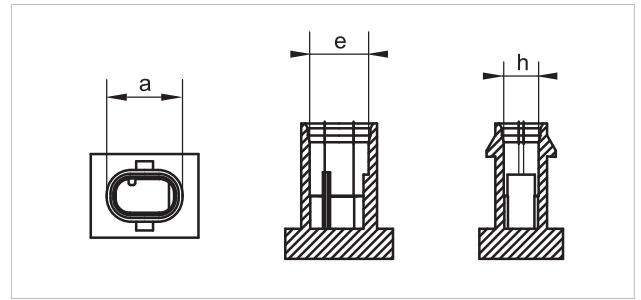
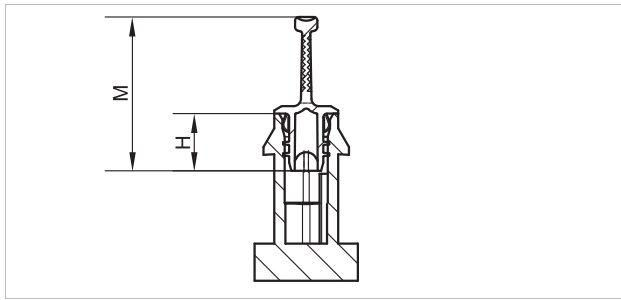
Chemical resistance: fuels, mineral oils, greases, oils and solvents

Plug		Dimensions		Order No.
Type	Plug type	M	O	
2-pole	AK 2.8	24,0	11,3	11.48997
3-pole	AK 2.8	24,0	11,3	11.48998
4-pole	AK 2.8	24,0	11,3	11.48999

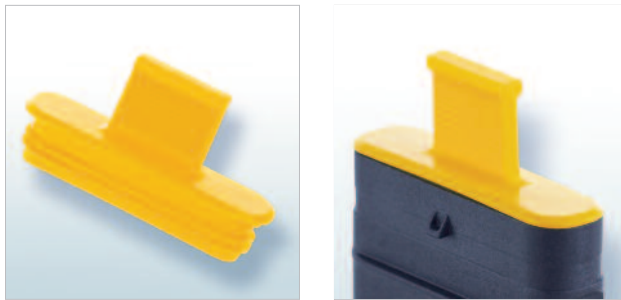
For other dimensions and special designs, please enquire.

We will be happy to advise you: +49 4442 982-6623 k-tech@poeppele.com

KAPSTO® Terminal Protectors



Terminal protector for MLK 1.2 AK connectors

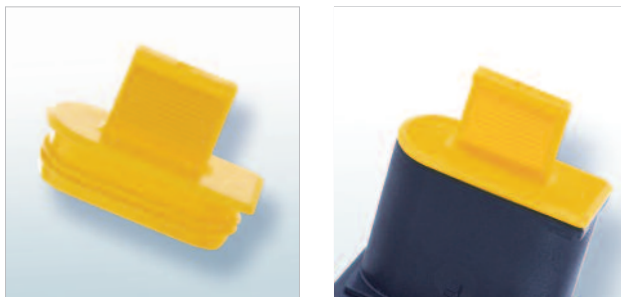


- Flexible protective plug for compact connector terminals.
- Firm fit thanks to all-round ribs.
- Convenient pull tab for easy removal.

Material: PE-LLD
Colour: yellow

Number of poles	Dimensions		Fits connector contour			Order No.
	H	M	a	e	h	
2	7,7	20,7	12,6	9,8	5,8	11.14433
3	7,7	20,7	16,6	13,8	5,8	11.14365
4	7,7	20,7	21,9	19,15	7,15	11.14366
5	7,7	20,7	25,9	23,15	7,15	11.14367
6	7,7	20,7	29,9	27,15	7,15	11.14368
8	7,7	20,7	37,9	35,15	7,15	11.14369

Terminal protector for SLK 2.8 VDA connectors



- Flexible protective plug for compact connector terminals.
- Firm fit thanks to all-round ribs.
- Convenient pull tab for easy removal.

Material: PE-LLD
Colour: yellow

Number of poles	Dimensions		Fits connector contour			Order No.
	H	M	a	e	h	
2	7,7	20,7	19,8	17,48	11,48	11.14370
3	7,7	20,7	24,8	22,48	11,48	11.14371
4	7,7	20,7	29,8	27,48	11,48	11.14372

For other dimensions and special designs, please enquire.

We will be happy to advise you: +49 4442 982-9100 kapsto@poeppelmann.com

K-TECH® Custom Products



Corrugated conduit adapter, 64-pole



Corrugated conduit distribution unit, 5-fold



Blind cap MQS



Waterproof protection of MQS plug terminals



Sealing plug for MLK 1.2 AK connector



Waterproof connection of MLK 1.2 pin housing

On request we can develop and produce custom products tailored to your needs. This is less costly than you may think. Generally, it will not be necessary to build all-new tooling. In most cases only dedicated mould inserts need to be produced for existing parent moulds.

We will be happy to advise you: +49 4442 982-6623 k-tech@poepelmann.com

A successful family-owned company: Focusing on people.

Pöppelmann – a strong and reliable partner. Since 1949 the family-owned company Pöppelmann with 5 production sites and 450 injection moulding, thermoforming machines and extruders has proved itself to be a leading manufacturer in the plastic processing industry. In more than 70 countries the quality “made by Pöppelmann” is appreciated. More than 1,650 highly qualified employees stand for our success.

Our Pöppelmann K-TECH® business division develops and manufactures technical injection mouldings to the highest quality standards for the automotive and electrical appliances industry, mechanical engineering, and equipment manufacturers.

More than 3,000 types of plastic protective elements are developed and manufactured by our Pöppelmann KAPSTO® division. All items from the KAPSTO® standard range are supplied ex stock. At your request we can also develop and produce custom solutions tailored to your needs.

Our manufacturing operations are ISO/TS 16949:2009 and DIN EN ISO 9001:2008 certified.



More than 1,650 Pöppelmann employees stand for productivity, quality and service.



Germany, Plant 2 (K-TECH®): Pöppelmann Kunststoff-Technik GmbH & Co. KG, Lohne.



Germany, Plant 1: Pöppelmann GmbH & Co. KG, Kunststoffwerk-Werkzeugbau, Lohne