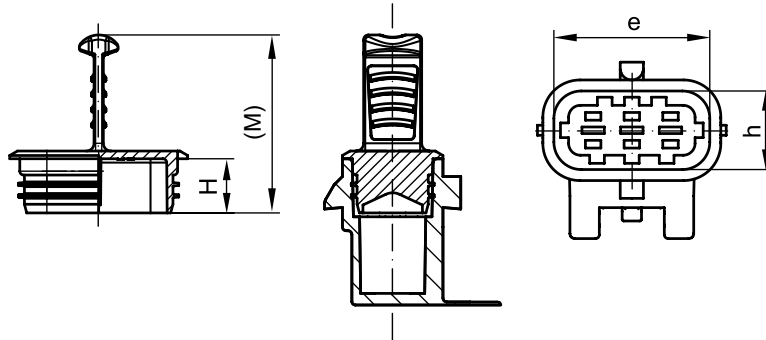


GPN 364

NEW



Standard colour: yellow

Material: PE-LD



Fits better.

Protection for compact flat connector housings.



Saves time.

With practical tab for fast removal.



Seals better.

Protection against splashing water from any direction (IPX4) depending on the specific connector design and quality.*



Cleaner.

Upon request, we can manufacture in the specially designed cleanroom in accordance with VDA Volume 19 and ISO 16232. For further information, please refer to page 129.



Better.

Optimum clamping fit thanks to circumferential fins.

Suitable for internal contour

Dimensions

item	Suitable for internal contour		Dimensions		Order no.
	e	h	H	(M)	
GPN 364 KS 0212	15,3	10,3	7	23	364 0212 0000
GPN 364 KS 0312	20,3	10,3	7	23	364 0312 0000
GPN 364 KS 0412	25,3	12,2	7	23	364 0412 0000
GPN 364 KS 0512	30,3	12,1	7	23	364 0512 0000

Size in mm

For information regarding materials, colours, drawings and the use of our items, please refer to pages 124/125.

Application Guide

Suitable for contact connectors

AMP 2.8 Pole number				Rows		item
2	3	4	5	1	2	
•				•		GPN 364 KS 0212
	•			•		GPN 364 KS 0312
		•		•		GPN 364 KS 0412
			•	•		GPN 364 KS 0512

The contact protection GPN 364 was developed for the compact flat connection housings listed in the application table. The contact protection is also suitable for other connections.

* Related to Pöppelmann sample connector, tested according to DIN 40050. Please refer to the note on page 125.

You might also be interested in the following products: GPN 360, GPN 361, GPN 362, GPN 363, GPN 365