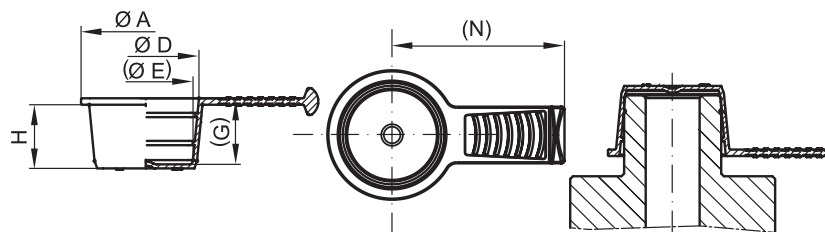


TAPERED CLOSURE WITH SIDE TAB

# GPN 608 PCR-PE, blue

**NEW**

**100 % RECYCLATE**



External application



**Standard colour:** Recycling blue

**Material:** PCR-PE



**More resource-saving.**

Consists of 100 % recyclate.



**Saves time.**

Very quick disassembly thanks to an innovative lateral removal tab – protected tab design.



**More versatile.**

Can be used universally as plug or cap. The tapered design is ideal for accommodating tolerances.



**Cleaner.**

Upon request, we can manufacture in the specially designed cleanroom in accordance with VDA Volume 19 and ISO 16232. For further information, please refer to page 129.



**Better.**

To close off bore holes and internal threads, or to protect studs and external threads.

External application

item	External application						Order no.
	A	H	D	(E)	(G)	(N)	
608 BL 90 PCR-PE, blue	11	8.8	7.8	5.5	9.3	17.5	608 0090 RB61
608 BL 100 PCR-PE, blue	12	8.8	8.8	6.4	9.3	18	608 0100 RB61
608 BL 110 PCR-PE, blue	13	8.8	9.8	7.4	9.3	18.5	608 0110 RB61
608 BL 120 PCR-PE, blue	14	9.8	10.7	8.4	10.1	19	608 0120 RB61
608 BL 130 PCR-PE, blue	15	9.8	11.8	9.4	10.3	19.5	608 0130 RB61
608 BL 140 PCR-PE, blue	16	10.8	12.7	10.5	11.3	20	608 0140 RB61
608 BL 150 PCR-PE, blue	18	10.8	13.7	11.3	11.3	24	608 0150 RB61
608 BL 160 PCR-PE, blue	19	10.8	14.7	12.3	11.2	24.5	608 0160 RB61
608 BL 170 PCR-PE, blue	19.9	10.8	15.7	13.4	11.2	25	608 0170 RB61
608 BL 180 PCR-PE, blue	20.9	10.8	16.7	14.4	11.2	25.5	608 0180 RB61
608 BL 190 PCR-PE, blue	21.9	10.8	17.7	15.4	11.2	26	608 0190 RB61
608 BL 200 PCR-PE, blue	22.9	11.8	18.7	16.4	12.2	31.5	608 0200 RB61
608 BL 210 PCR-PE, blue	23.8	11.8	19.7	17.4	12.2	32	608 0210 RB61
608 BL 220 PCR-PE, blue	25	11.8	20.7	18.1	12.2	32.5	608 0220 RB61
608 BL 230 PCR-PE, blue	26	11.8	21.7	19.4	12.3	33	608 0230 RB61
608 BL 240 PCR-PE, blue	27	11.8	22.7	20.4	12.3	33.5	608 0240 RB61
608 BL 250 PCR-PE, blue	27.9	11.8	23.7	21.4	12.2	34	608 0250 RB61
608 BL 260 PCR-PE, blue	28.9	11.8	24.7	22.4	12.2	34.5	608 0260 RB61
608 BL 270 PCR-PE, blue	29.9	12.8	25.7	23.4	13.2	35	608 0270 RB61
608 BL 280 PCR-PE, blue	31.9	12.8	26.7	24.4	13.2	36	608 0280 RB61
608 BL 290 PCR-PE, blue	33.8	12.8	27.7	25.4	13.2	37	608 0290 RB61
608 BL 300 PCR-PE, blue	35	12.8	28.6	26.2	13	37.5	608 0300 RB61
608 BL 670 PCR-PE, blue	71.8	10.5	65.4	64.3	11	50.87	608 0670 RB61

Size in mm

For information regarding materials, colours, drawings and the use of our items, please refer to pages 124/125.

These items might have colour variations and black dots which cannot be completely avoided in production. We recommend carrying out functional tests before series production.

**You might also be interested in the following products:**

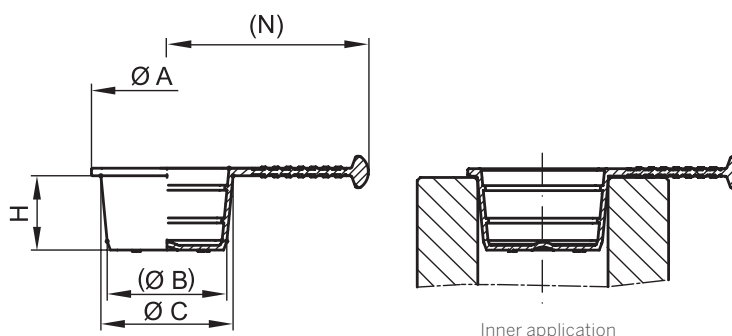
**GPN 308, GPN 600, GPN 610 PCR-PE blue, GPN 615**

TAPERED CLOSURE WITH SIDE TAB

# GPN 608 PCR-PE, blue

**NEW**

**100 % RECYCLATE**



**Standard colour:** Recycling blue

**Material:** PCR-PE



**More resource-saving.**

Consists of 100 % recyclate.



**Saves time.**

Very quick disassembly thanks to an innovative lateral removal tab – protected tab design.



**More versatile.**

Can be used universally as plug or cap. The tapered design is ideal for accommodating tolerances.



**Cleaner.**

Upon request, we can manufacture in the specially designed cleanroom in accordance with VDA Volume 19 and ISO 16232. For further information, please refer to page 129.



**Better.**

To close off bore holes and internal threads, or to protect studs and external threads.

**Inner application**

item	A	(N)	Inner application			Order no.
			(B)	C	H	
608 BL 90 PCR-PE, blue	11	17.5	7	9	8.8	608 0090 RB61
608 BL 100 PCR-PE, blue	12	18	8	10	8.8	608 0100 RB61
608 BL 110 PCR-PE, blue	13	18.5	9	11	8.8	608 0110 RB61
608 BL 120 PCR-PE, blue	14	19	10	12	9.8	608 0120 RB61
608 BL 130 PCR-PE, blue	15	19.5	11	13	9.8	608 0130 RB61
608 BL 140 PCR-PE, blue	16	20	12	14	10.8	608 0140 RB61
608 BL 150 PCR-PE, blue	18	24	13	15	10.8	608 0150 RB61
608 BL 160 PCR-PE, blue	19	24.5	14.1	15.9	10.8	608 0160 RB61
608 BL 170 PCR-PE, blue	19.9	25	14.9	16.8	10.8	608 0170 RB61
608 BL 180 PCR-PE, blue	20.9	25.5	16.1	17.8	10.8	608 0180 RB61
608 BL 190 PCR-PE, blue	21.9	26	17.2	18.9	10.8	608 0190 RB61
608 BL 200 PCR-PE, blue	22.9	31.5	18.1	19.9	11.8	608 0200 RB61
608 BL 210 PCR-PE, blue	23.8	32	19.2	20.7	11.8	608 0210 RB61
608 BL 220 PCR-PE, blue	25	32.5	20.3	22.1	11.8	608 0220 RB61
608 BL 230 PCR-PE, blue	26	33	21	23	11.8	608 0230 RB61
608 BL 240 PCR-PE, blue	27	33.5	22	24	11.8	608 0240 RB61
608 BL 250 PCR-PE, blue	27.9	34	23.3	24.7	11.8	608 0250 RB61
608 BL 260 PCR-PE, blue	28.9	34.5	24.2	25.7	11.8	608 0260 RB61
608 BL 270 PCR-PE, blue	29.9	35	25.2	26.8	12.8	608 0270 RB61
608 BL 280 PCR-PE, blue	31.9	36	26.1	27.9	12.8	608 0280 RB61
608 BL 290 PCR-PE, blue	33.8	37	27.2	28.8	12.8	608 0290 RB61
608 BL 300 PCR-PE, blue	35	37.5	28.4	30	12.8	608 0300 RB61
608 BL 670 PCR-PE, blue	71.8	50.87	65.8	66.8	10.5	608 0670 RB61

Size in mm

For information regarding materials, colours, drawings and the use of our items, please refer to pages 124/125.

These items might have colour variations and black dots which cannot be completely avoided in production. We recommend carrying out functional tests before series production.

**You might also be interested in the following products:**

**GPN 308, GPN 600, GPN 610 PCR-PE blue, GPN 615**